



Hampton Trellis

Model# 11158

Assembly Instructions

General Information

PLEASE READ THROUGH BEFORE BEGINNING ASSEMBLY.

IMPORTANT: Check boxes for Contents Listed

Check inside of parts as some parts are packaged inside of others

In the event of missing, damaged or defective parts please call our customer service dept. at 1-877-258-6020

When assembling components, place on a clean, flat non-abrasive surface to avoid scratches

Tools Required

- ... Battery or Electric Drill with #2 phillips bit
- ... Tape Measure
- ... Hammer or Rubber Mallet (recommended)
- ... Shovel or Post Hole Digger (recommended)

<u>Part #</u>	<u>Description</u>	<u>Qty</u>
1	4" sq. x 64" Left Post	1
2	4" sq. x 64" Right Post	1
3	1½ x 4 x 56¾" Top Cross Rail	1
4	1½ x 4 x 56¾" Bottom Cross Rail	1
5	⅞ x 1½ x 56¾" Center Cross Rail	9
6	¼ x 1½ x 56¾" Vertical Slats	9
7	4" sq. Trellis Arch Top Half	2
8	4" Decorative Knuckle	3
9	3¾ x 6" Trellis Top Connector Tube	3
10	⅞ x 1½ x 29" Outer Arch Top Rail	2
11	⅞ x 1½ x 31½" Inner Arch Top Rail	2
12	24" Steel Ground Anchor (U-shaped)	2
13	Hardware Bag (includes:)	1
	2" Painted Screw	8
	1¼" Painted Screw	18
	#8 - 1" White Self Tapping Screw	4

Warranty Statement

20 Year Guarantee

Please call manufacturer direct with questions concerning missing or defective parts at Toll Free: 877-258-6020.

Dura-trel, Inc. products are warranted to be free from manufacturing defects resulting in delaminating, peeling, flaking, corroding, cracking, crazing, or extreme amounts of fading or bleaching causing the PVC to change to its natural color for a period of 20 years from the date of purchase.

Normal weathering is defined as exposure to sunlight and extremes of weather and atmosphere which will cause any colored surface to gradually fade.

CONDITIONS NOT COVERED BY THIS WARRANTY:

- A. Physical abuse, misuse, neglect, or improper storage.
- B. Improper installation or installation not in strict adherence to the instructions written by Dura-Trel, Inc.
- C. This warranty does not apply if materials are painted, varnished, or coated with any substance.
- D. Dura-Trel, Inc. is not responsible for damages to product during shipping.
- E. Damage attributable to atmospheric pollutants, hail, lightning, hurricane, tornado, wind borne objects, earthquake, fire, mildew, casualty, act of God, building or ground settlement, or subjection to stress or weight.

CLAIMS AND REMEDIES:

If a Dura-Trel, Inc. product is determined to have a manufacturing defect which is covered by this warranty, Dura-Trel, Inc. will replace the material containing the defect (labor not included) F.O.B from the point of manufacture. Dura-trel, Inc. will not be responsible for any cost incurred in the removal or reinstallation of the product.

Important: An claims must be sent to the following address and should describe the defect claim.

Dura-Trel, Inc., P.O. Box 122, Sheboygan Falls, WI 53085

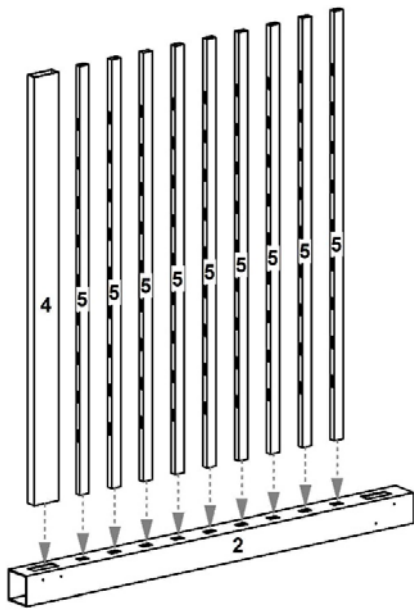
Dura-Trel, Inc. reserves the right to discontinue or change its design, and or color. If the original color or style is not available, Dura-Trel, Inc. shall have the right to substitute a product designated by Dura-Trel, Inc.

Dura-Trel, Inc. shall not be liable for any incidental, special, or consequential damages arising out of the use of these products



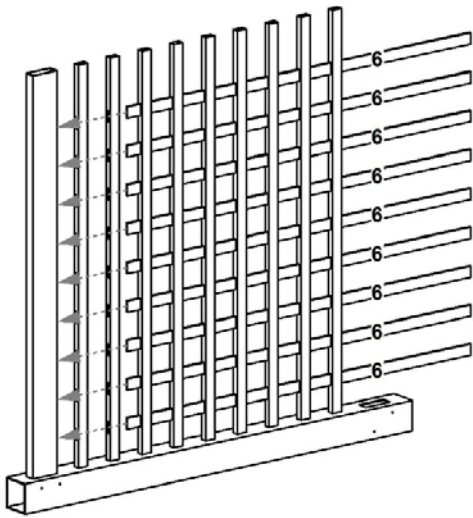
150 Birch Road
P.O. Box 122
Sheboygan Falls, WI 53085

1-877-258-6020
www.dura-trel.com
sales@dura-trel.com



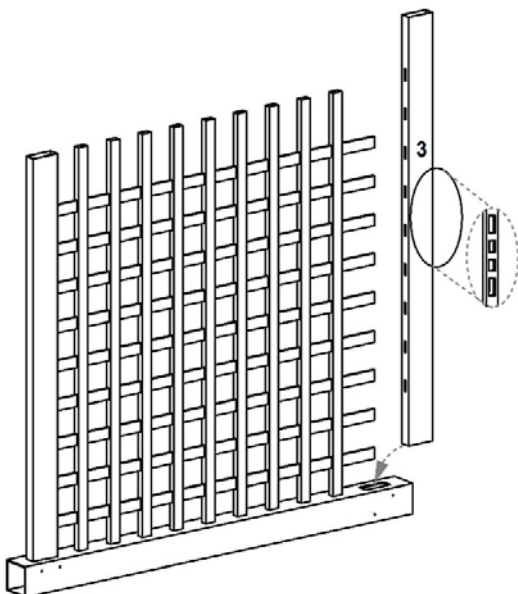
1

Lay out one right post (part 2). Starting at bottom, insert bottom cross rail (part 4) and center cross rails (part 5). Bottom of post is end with two pilot holes drill parallel. Top of post is end with two pilot holes drilled diagonally.



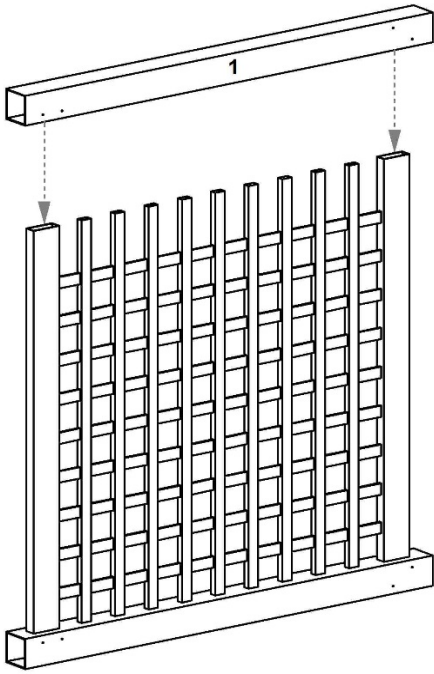
2

Slide vertical slats (part 6) through center cross rails and into bottom cross rail.



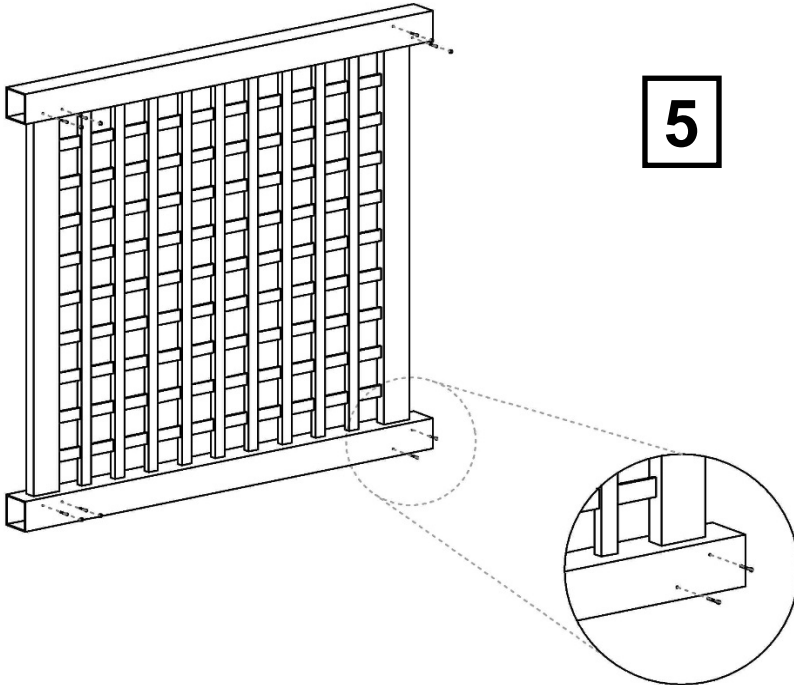
3

Insert top cross rail (part 3) into right post, sliding vertical slats into top cross rail.



4

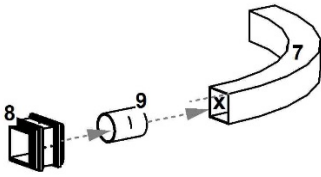
Slide left post (part 1) over corresponding top, bottom and center cross rails.



5

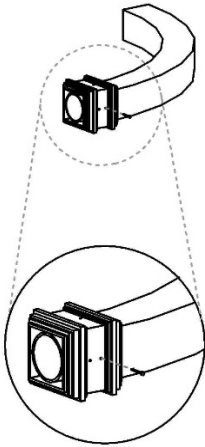
Using 2" painted screws, screw together trellis panel. Be sure that all parts are fully inserted into posts before securing.

Lay out one trellis top arch half (part 7). Slide one trellis top connector tube (part 9) half way into end of arch half marked with black X. Connector tube should be inserted up to black mark.



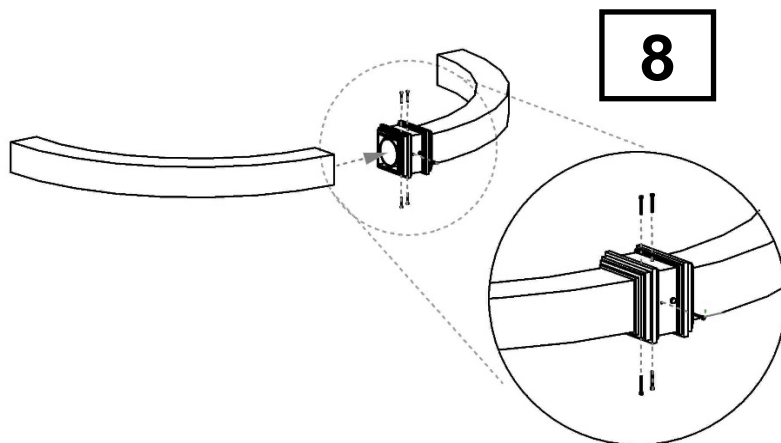
6

Slide one decorative knuckle (part 8) over connector tube and arch half. When sliding knuckle onto arch half, be sure connector tube does not slide further into arch half. End of arch half should sit at center of both knuckle and connector tube, with connector tube sticking out from knuckle.



7

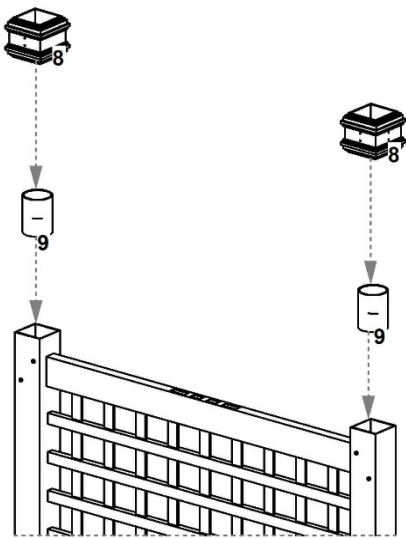
Using one 1/4" painted screw, fasten knuckle to arch half and connector tube through top pilot hole only.



8

Insert connector tube into end of remaining trellis top arch half marked with black X. End of arch half will insert into knuckle.

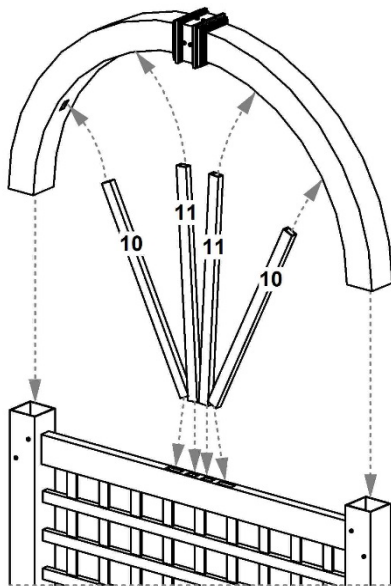
Using five 1/4" painted screws, screw together knuckle, arch halves and connector tube.



9

Insert one trellis top connector tube (part 9) into top end of each post. Connector tube will insert about half way, resting on top cross rail (near black mark).

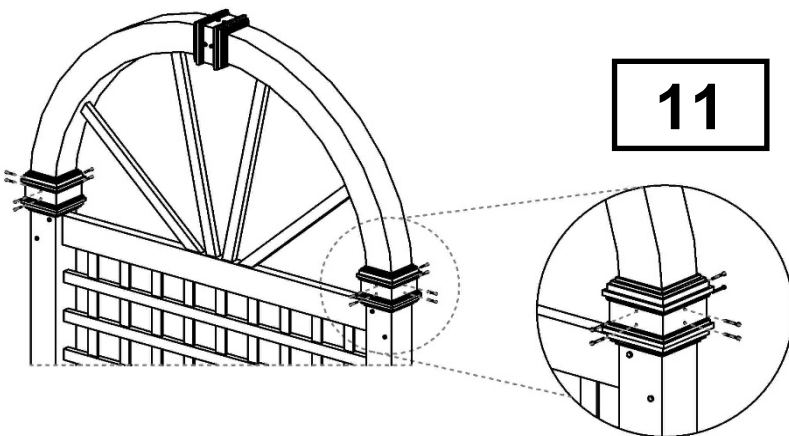
Slide one decorative knuckle (part 8) over each connector tube and post end. Knuckle will rest on cross rail with post inserted half way into knuckle and connector tube sticking out from knuckle.



10

Insert inner trellis top rails (part 11) into middle holes of top cross rail. Insert outer trellis top rails (part 10) into outer holes in top cross rail.

Join post ends with trellis top by inserting connector tubes into free ends of trellis top. When joining posts with trellis top, insert inner and outer trellis top rails into corresponding holes of trellis top.



11

Using six 1¼" painted screws per post, fasten together posts, trellis top, knuckles and connector tubes. Be sure trellis top is fully inserted and meets post ends.

TRELLIS INSTALLATION

Option 1

12

Slide one 24" steel u-channel ground anchor (part 12) into bottom of each post. Slide ground anchor between end of bottom cross rail and post. Using 1" self-tapping white-head screw fasten post to ground anchor.

Using ground anchor installation layout drawing, dig holes approximately 16" deep. Set arbor in holes and level. Back fill with soil removed from holes. For permanent installation fill with cement.

Option 2

Using ground anchor installation layout drawing, pound ground anchors into ground according to dimensions. When pounding into ground, use block of wood to prevent ground anchor from bending.

Slide arbor over ground anchors. Using 1" self-tapping white-head screw fasten post to ground anchor.

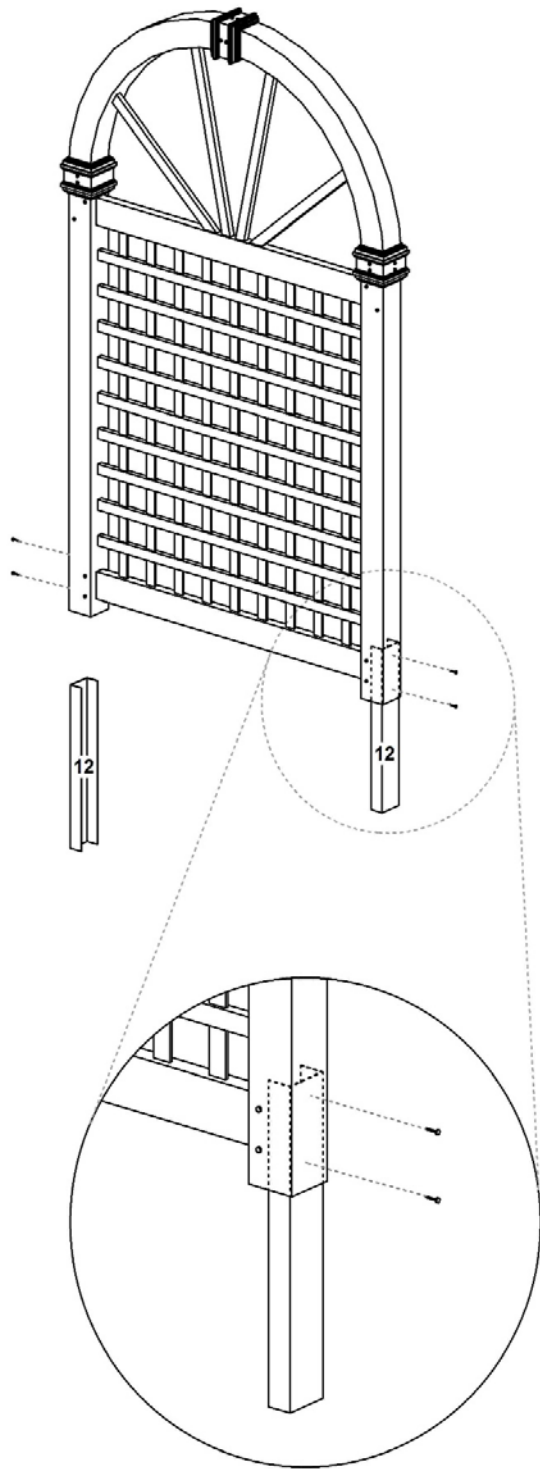
Option 3

Using ground anchor installation layout drawing, dig holes 16" deep according to dimensions. Fill with cement and place ground anchors in wet cement. Be sure that ground anchors are straight and in accordance with dimension of ground anchor installation layout drawing. Allow cement to dry. NOTE: There is very little room for error with this installation method.

Slide arbor over ground anchors. Using 1" self-tapping white-head screw fasten post to ground anchor.

Note for all installation options:

In order to fit ground anchor, the bottom cross rail may need to be unscrewed and separated slightly. The ground anchor should slide between end of bottom cross rail and inside of post.



GROUND ANCHOR INSTALLATION LAYOUT

