



4 x 8' Two Board Planter Bed

Model# 11181

Assembly Instructions

<u>Part #</u>	<u>Description</u>	<u>Qty</u>
1	4" sq. x 19" Corner Post	4
2	4" sq. x 19" Line Post	2
3	1½ x 5½ x 96" Rail	4
4	1½ x 5½ x 45" Rail	4
5	4" sq." Flat Cap	6
6	Hardware Bag (includes: 2" Painted Screw	1 40

General Information

PLEASE READ THROUGH BEFORE BEGINNING ASSEMBLY.

IMPORTANT: Check boxes for Contents Listed

Check inside of parts as some parts are packaged inside of others

In the event of missing, damaged or defective parts please call our customer service dept. at 1-877-258-6020

When assembling components, place on a clean, flat non-abrasive surface to avoid scratches

Tools Required

- ... Battery or Electric Drill with #2 phillips bit
- ... Tape Measure
- ... Hammer or Rubber Mallet (recommended)
- ... Shovel or Post Hole Digger (recommended)
- ... PVC, Super, or Crazy Glue



150 Birch Road

P.O. Box 122

Sheboygan Falls, WI 53085

1-877-258-6020

www.dura-trel.com

sales@dura-trel.com

1

Warranty Statement

20 Year Guarantee

Please call manufacturer direct with questions concerning missing or defective parts at Toll Free: 877-258-6020.

Dura-trel, Inc. products are warranted to be free from manufacturing defects resulting in delaminating, peeling, flaking, corroding, cracking, crazing, or extreme amounts of fading or bleaching causing the PVC to change to its natural color for a period of 20 years from the date of purchase.

Normal weathering is defined as exposure to sunlight and extremes of weather and atmosphere which will cause any colored surface to gradually fade.

CONDITIONS NOT COVERED BY THIS WARRANTY:

- A. Physical abuse, misuse, neglect, or improper storage.
- B. Improper installation or installation not in strict adherence to the instructions written by Dura-Trel, Inc.
- C. This warranty does not apply if materials are painted, varnished, or coated with any substance.
- D. Dura-Trel, Inc. is not responsible for damages to product during shipping.
- E. Damage attributable to atmospheric pollutants, hail, lightning, hurricane, tornado, wind borne objects, earthquake, fire, mildew, casualty, act of God, building or ground settlement, or subjection to stress or weight.

CLAIMS AND REMEDIES:

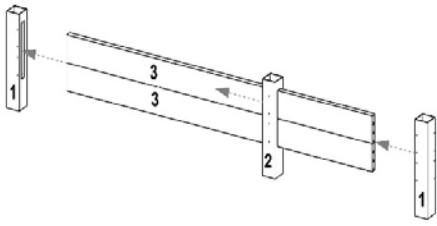
If a Dura-Trel, Inc. product is determined to have a manufacturing defect which is covered by this warranty, Dura-Trel, Inc. will replace the material containing the defect (labor not included) F.O.B from the point of manufacture. Dura-trel, Inc. will not be responsible for any cost incurred in the removal or reinstallation of the product.

Important: An claims must be sent to the following address and should describe the defect claim.

Dura-Trel, Inc., P.O. Box 122, Sheboygan Falls, WI 53085

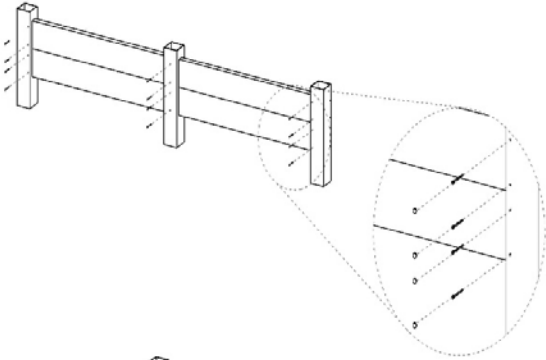
Dura-Trel, Inc. reserves the right to discontinue or change its design, and or color. If the original color or style is not available, Dura-Trel, Inc. shall have the right to substitute a product designated by Dura-Trel, Inc.

Dura-Trel, Inc. shall not be liable for any incidental, special, or consequential damages arising out of



1

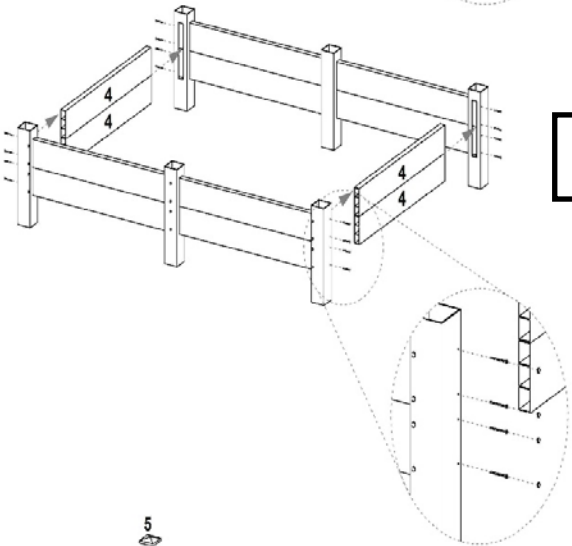
Insert two 1 1/2"x5 1/2"x 96" rails (part 3) through one 4"x 4"x 19" line post (part 2). Insert ends of 96" rails into two 4"x 4"x19" corner posts (part 1). Slide line



2

Using 2" screws, screw together the planter bed side. Be sure all parts are fully inserted into the posts before screwing.

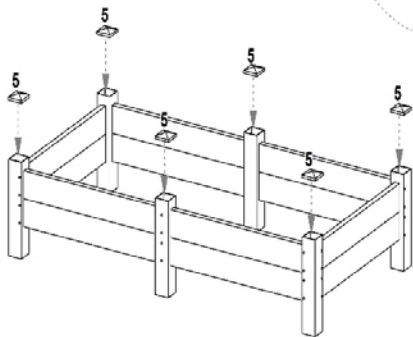
REPEAT steps 1 and 2 with the remaining three posts and two 96" rails.



3

Insert ends of four 1 1/2"x5 1/2" x45" rails (part 4) into remaining routed holes of corner posts to form planter bed.

Using 2" screws, screw together the planter bed. Be sure 45" rails are inserted to meet the 96" rails. Four 45" rails will not fully insert into posts.



4

Apply PVC or super glue to inner edges of six 4" sq. flat post caps and place on top of each post.

To install, dig six holes 6" deep. Outside dimensions are 50 1/2" x 96 1/4" and the posts are 4" square.