

# Camelot Arbor

Model# 11141

Assembly Instructions



## General Information

PLEASE READ THROUGH BEFORE BEGINNING ASSEMBLY.

IMPORTANT: Check boxes for Contents Listed

Check inside of parts as some parts are packaged  
inside of others

In the event of missing, damaged or defective parts  
please call our customer service dept. at 1-877-258-6020

When assembling components, place on a clean, flat  
non-abrasive surface to avoid scratches

## Tools Required

- ... Battery or Electric Drill with #2 phillips bit
- ... Tape Measure
- ... Hammer or Rubber Mallet (recommended)

<u>Part #</u>	<u>Description</u>	<u>Qty</u>
1	2" sq. x 84" Left Post	2
2	2" sq. x 84" Right Post	2
3	7/8 x 1 1/2 x 27 1/2" Center Cross Rail	18
4	7/8 x 1 1/2 x 27 1/2" Bottom Cross Rail	2
5	1 x 1 x 63" Vertical Rail	2
6	1 x 1 x 60" Vertical Rail	4
7	1 1/2 x 4 x 72" Arbor Top Rail	2
8	7/8 x 1 1/2 x 41" Arbor Top Cross Rail	8
9	7/8 x 1 1/2 x 18" Corner Brace	4
10	5 3/8" Arbor Top End Cap	4
11	Hardware Bag (includes:)	1
	2" sq." Post Cap	4
	1 x 1" Arrowhead Cap	6
	7/8 x 1 1/2" End Cap	16
	1 1/4" Painted Screw	28
	3/4" Painted Screw	12
	Super Glue Tube	1
12	Arbor Ground Anchor Kit (includes:)	1
	16" Steel Ground Anchor (L-Shaped)	4
	#8 - 1" Painted Self Tapping Screw	8

# Warranty Statement

## 20 Year Guarantee

**Please call manufacturer direct with questions concerning missing or defective parts at Toll Free: 877-258-6020.**

Dura-trel, Inc. products are warranted to be free from manufacturing defects resulting in delaminating, peeling, flaking, corroding, cracking, crazing, or extreme amounts of fading or bleaching causing the PVC to change to its natural color for a period of 20 years from the date of purchase.

*Normal weathering is defined as exposure to sunlight and extremes of weather and atmosphere which will cause any colored surface to gradually fade.*

### **CONDITIONS NOT COVERED BY THIS WARRANTY:**

- A. Physical abuse, misuse, neglect, or improper storage.
- B. Improper installation or installation not in strict adherence to the instructions written by Dura-Trel, Inc.
- C. This warranty does not apply if materials are painted, varnished, or coated with any substance.
- D. Dura-Trel, Inc. is not responsible for damages to product during shipping.
- E. Damage attributable to atmospheric pollutants, hail, lightning, hurricane, tornado, wind borne objects, earthquake, fire, mildew, casualty, act of God, building or ground settlement, or subjection to stress or weight.

### **CLAIMS AND REMEDIES:**

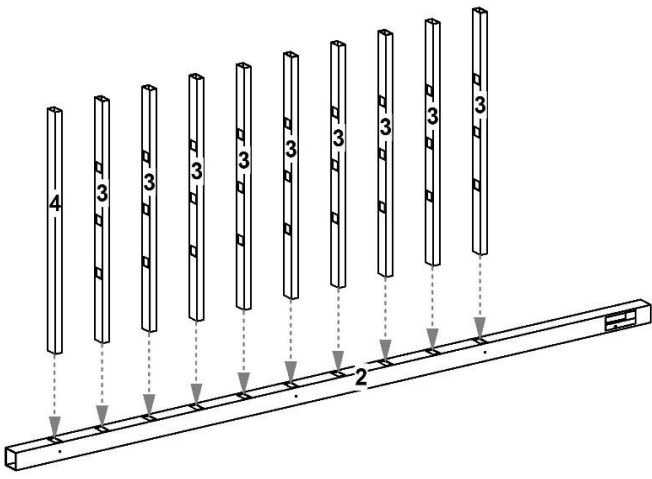
If a Dura-Trel, Inc. product is determined to have a manufacturing defect which is covered by this warranty, Dura-Trel, Inc. will replace the material containing the defect (labor not included) F.O.B from the point of manufacture. Dura-trel, Inc. will not be responsible for any cost incurred in the removal or reinstallation of the product.

**Important:** An claims must be sent to the following address and should describe the defect claim.

**Dura-Trel, Inc., P.O. Box 122, Sheboygan Falls, WI 53085**

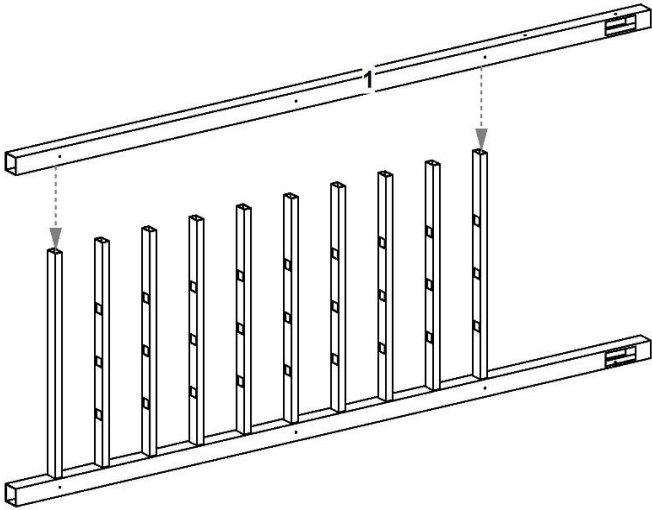
Dura-Trel, Inc. reserves the right to discontinue or change its design, and or color. If the original color or style is not available, Dura-Trel, Inc. shall have the right to substitute a product designated by Dura-Trel, Inc.

Dura-Trel, Inc. shall not be liable for any incidental, special, or consequential damages arising out of the use of these products



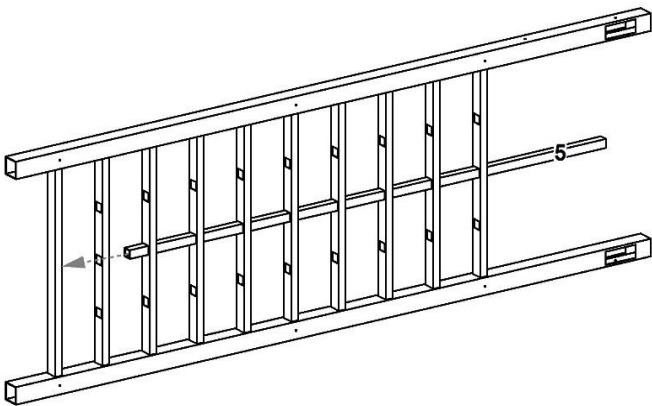
**1**

Lay out one right post (part 2). Starting at bottom, insert one bottom cross rail (part 4) and nine center cross rails (part 3).



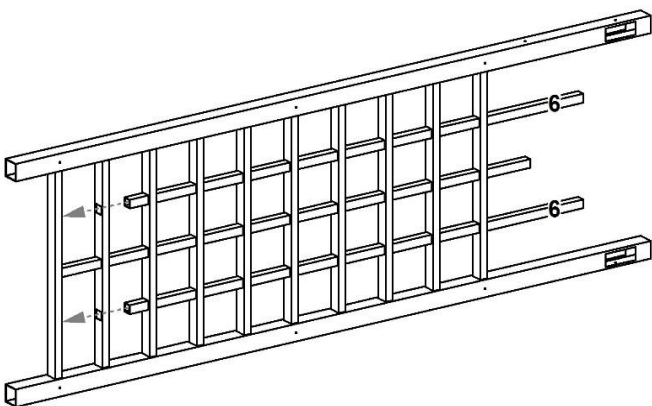
**2**

Slide one left post (part 1) over corresponding cross rails.



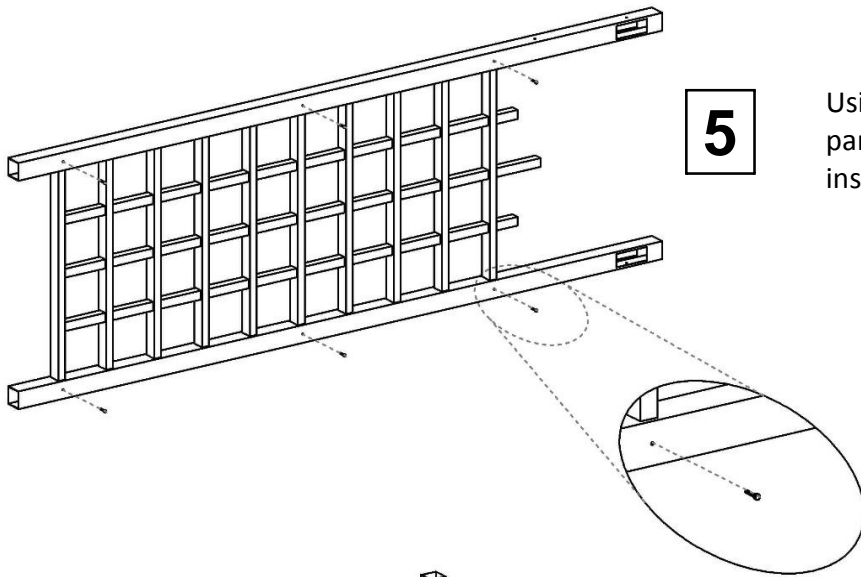
**3**

Insert one 63" vertical rail (part 5) through center hole of cross rails.



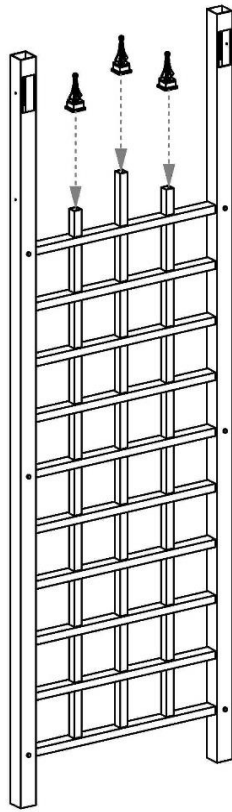
**4**

Insert two 55" vertical rails (part 6) through remaining holes in cross rails.



**5**

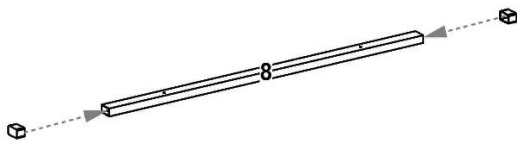
Using  $\frac{3}{4}$ " screws, screw together arbor panel. Be sure that all parts are fully inserted into posts before securing.



**6**

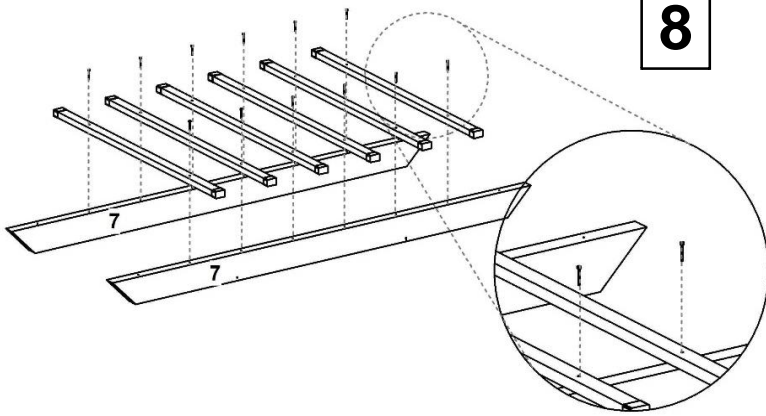
Using included super glue, glue arrowhead caps onto vertical rails.

REPEAT steps 1-6 for second arbor panel



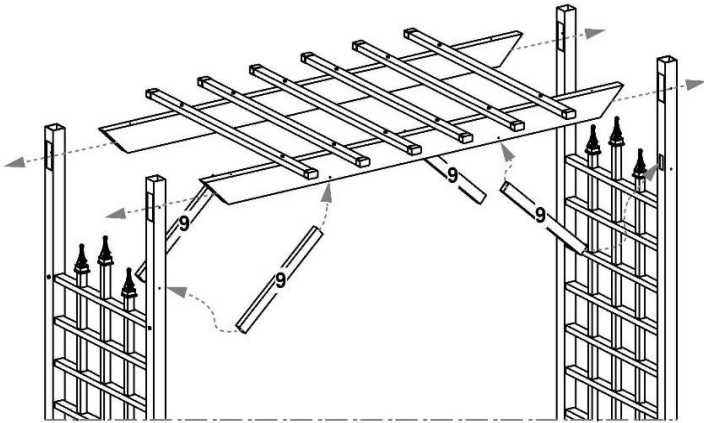
**7**

Using super glue, glue  $\frac{7}{8}$  x  $1\frac{1}{2}$ " end caps one each end of eight 41" arbor top cross rails (part 8).



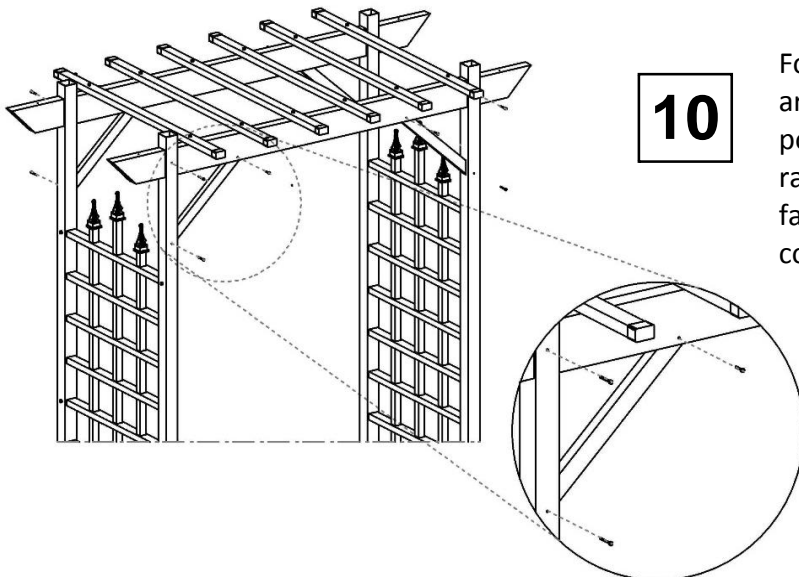
**8**

Using 1/4" screws, screw six of eight arbor top cross rails with caps to arbor top panels (part 7). Do not attach end arbor top cross rails at this time



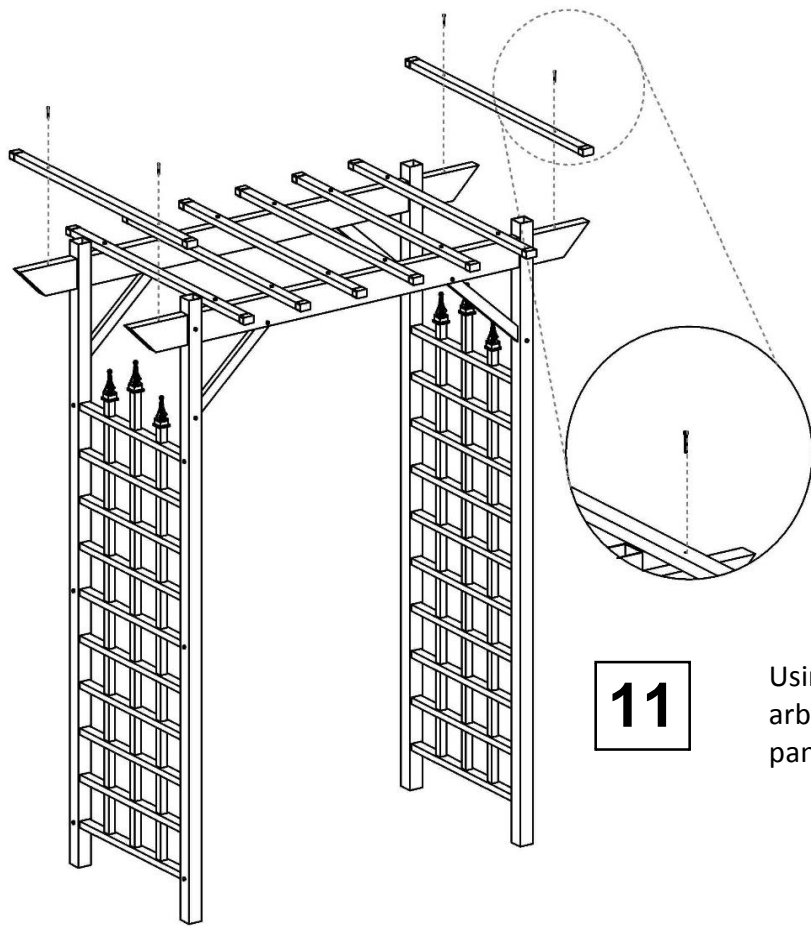
**9**

Insert one end of each 18" corner brace (part 9) into routed hole on bottom of arbor top rails. Insert ends of arbor top rails through holes at top of each post of arbor panels, inserting free ends of corner braces into other routed holes in posts.



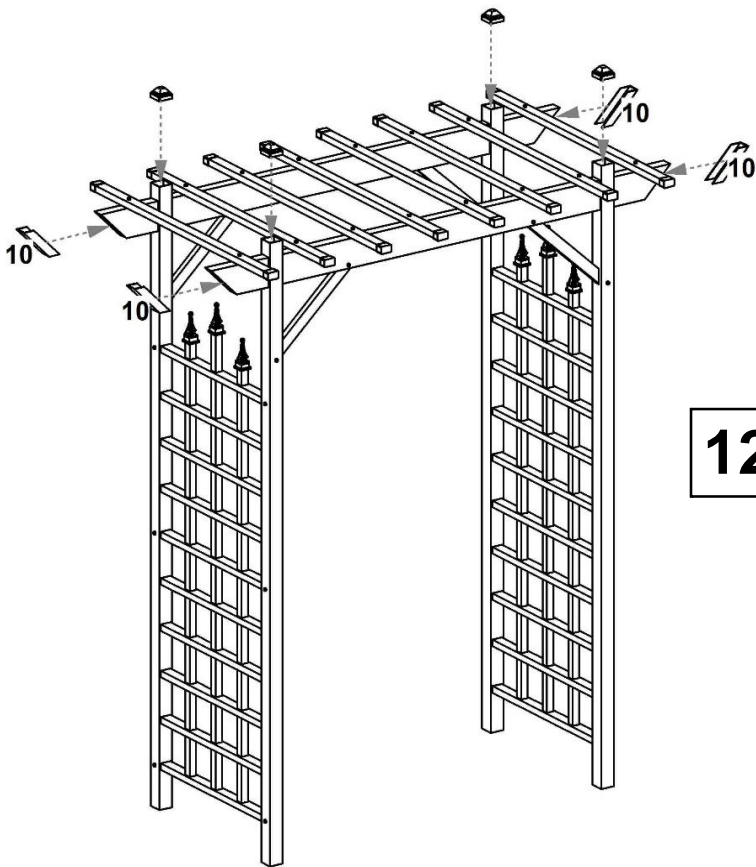
**10**

For each post, measure from tip of each arbor top rail to outside of post and move post so it is 9 inches from end of arbor top rails. Using three 1/4" screws per post, fasten together post, arbor top rail and corner brace.



**11**

Using 1/4" screws, screw remaining two arbor top cross rails with caps to arbor top panels.



**12**

Using super glue tube, glue four arbor top end caps (part 10) onto ends of arbor top rails. Glue four 2" sq. post caps onto post tops.

11141	Camelot Arbor	
1	2" sq. x 84" CMA Left Post	2.00
2	2" sq. x 84" CMA Right Post	2.00
3	$\frac{7}{8}$ x $1\frac{1}{2}$ x $27\frac{1}{2}$ " CM Center Ra	18.00
4	$\frac{7}{8}$ x $1\frac{1}{2}$ x $27\frac{1}{2}$ " CM Bottom Ra	2.00
5	1 x 1 x 63" Rail	2.00
6	1 x 1 x 60" Rail	4.00
7	$1\frac{1}{2}$ x 4 x 72" CMA Arbor Top	2.00
8	$\frac{7}{8}$ x $1\frac{1}{2}$ x 41" CM/WL w/o Caps	8.00
9	$\frac{7}{8}$ x $1\frac{1}{2}$ x 18" Rail -Thin	4.00
10	5 $\frac{3}{8}$ " CMA Angled End Cap	4.00
11	Hardware Bag	1.00
	2" sq." Post Cap	4.00
	1 x 1" Arrowhead Cap	6.00
	$\frac{7}{8}$ x $1\frac{1}{2}$ " End Cap	16.00
	$1\frac{1}{4}$ " Painted Screw	28.00
	$\frac{3}{4}$ " Painted Screw	12.00
	Grnd Anch - Arbor (2 x 2)	1.00
	#8 - 1" Self Tapping White He	8.00
	Super Glue Tube	1.00
	6 x 14" Poly Bag	0.33