



# Hartford Arbor

Model# 11110      Assembly Instructions

## General Information

PLEASE READ THROUGH BEFORE BEGINNING ASSEMBLY.

IMPORTANT: Check boxes for Contents Listed

Check inside of parts as some parts are packaged inside of others

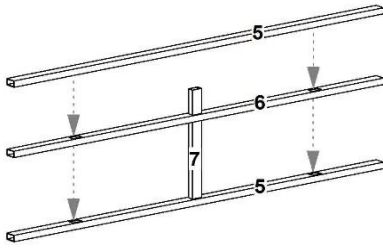
In the event of missing, damaged or defective parts please call our customer service dept. at 1-877-258-6020

When assembling components, place on a clean, flat non-abrasive surface to avoid scratches

## Tools Required

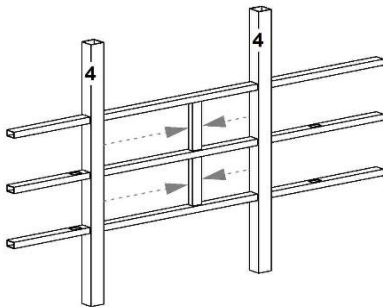
- ... Battery or Electric Drill with #2 phillips bit
- ... Tape Measure
- ... Hammer or Rubber Mallet (recommended)
- ... Shovel or Post Hole Digger (recommended)

Part #	Description	Box #	Qty
1	4" sq. x 72" Left Post	1	2
2	4" sq. x 72" Right Post	1	2
3	2" sq. x 36¾" Top/Bottom Cross Rail	1	4
4	2" sq. x 36¾" Center Cross Rail	1	4
5	⅞ x 1½ x 59½" Outside Vertical Rail	1	4
6	⅞ x 1½ x 59½" Middle Vertical Rail	1	2
7	⅞ x 1½ x 16" Horizontal Rail	2	6
8	4" sq. Arbor Top Arch Half	2	4
9	3¾ x 6" Arbor Top Connector Tube	2	6
10	Decorative Knuckle	2	6
11	2" sq. x 36¾" Arbor Top Rail	2	8
12	24" Steel Ground Anchor (U-shaped)	1	4
13	Hardware Bag (includes:)	2	1
	1½" Painted Screw		24
	¾" Painted Screw		36
	#8 - 1" Painted Self Tapping Screw		8



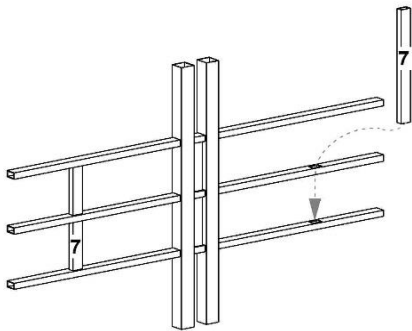
**1**

Lay out one outside vertical rail (part 5). Insert one 16" rail (part 7) into center hole. Insert free end of 16" rail through center hole of one middle vertical rail (part 6). Insert free end of the 16" rail into center hole of another outside vertical rail (part 5).



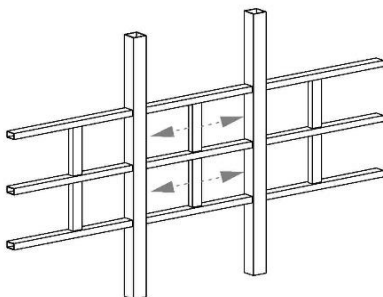
**2**

On each end of assembly, slide vertical rails through one center cross rail (part 4). Slide center cross rails all the way to 16" rail.



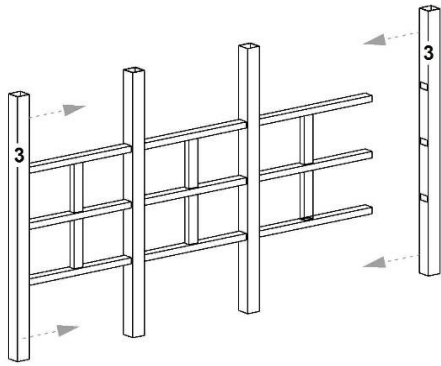
**3**

On each end of assembly, insert one 16" rail through middle vertical rail and into outside vertical rails. The vertical rails will need to be flexed to slide 16" into open holes.



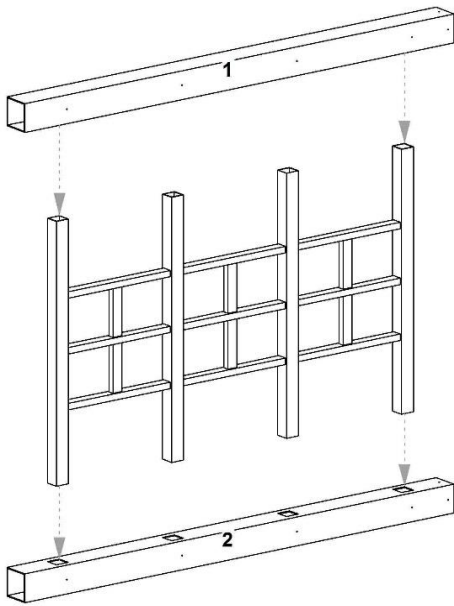
**4**

Slide center cross rails away from middle 16" rail. Center cross rails should be centered between 16" rails.



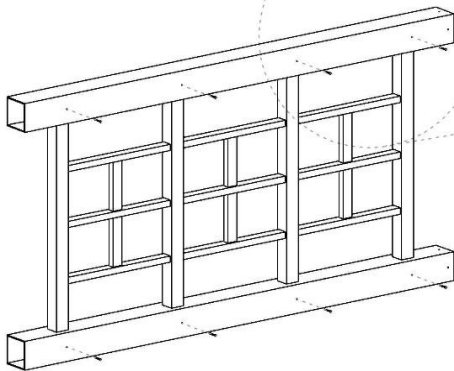
**5**

Insert free ends of vertical rails into corresponding holes of each top/bottom cross rail (part 3).



**6**

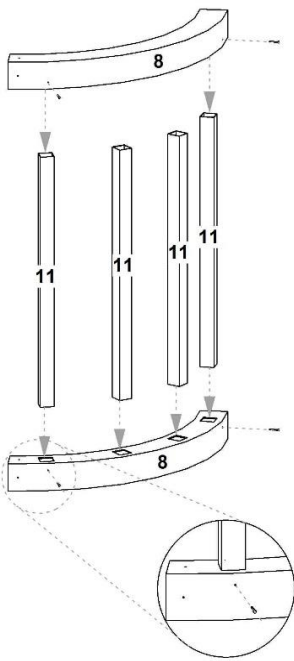
Lay out one right post (part 2). Insert cross rails of assembly into corresponding holes of right post. Slide left post (part 1) onto corresponding holes of assembly. Be sure top of posts with 3 pilot holes are at same end of arbor panel.



**7**

Using eight 1½" screws, screw together arbor panel. Be sure that all parts are fully inserted into the posts before securing.

REPEAT steps 1-7 for second arbor panel.

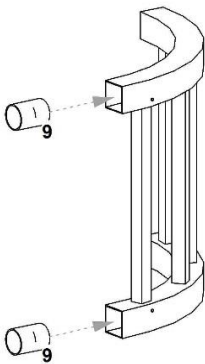


**8**

Lay out one arbor top arch half (part 8). Insert four 36 $\frac{3}{4}$ " rails (part 11) into arch half. Slide another arch half over 36 $\frac{3}{4}$ " rails.

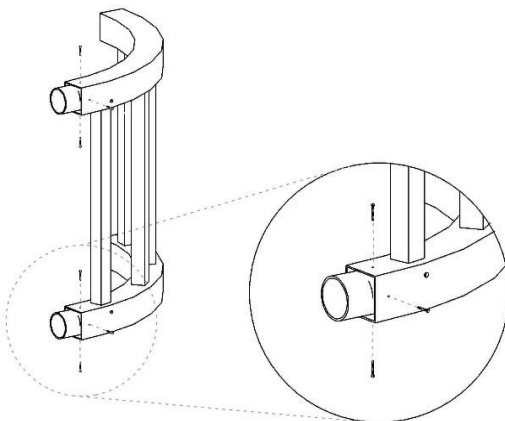
Using four 1 $\frac{1}{2}$ " screws, screw together arbor top half. Be sure that all parts are fully inserted before securing.

REPEAT using remaining two arbor top arch halves and four 36 $\frac{3}{4}$ " rails.



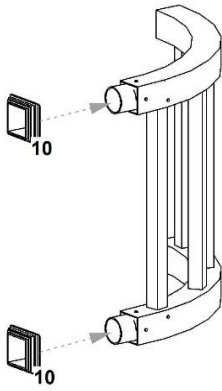
**9**

Using only one arbor top half from step 8, slide two arbor top connector tubes (part 9) into one end of arbor top half. Connector tubes should be inserted half way (up to black mark)



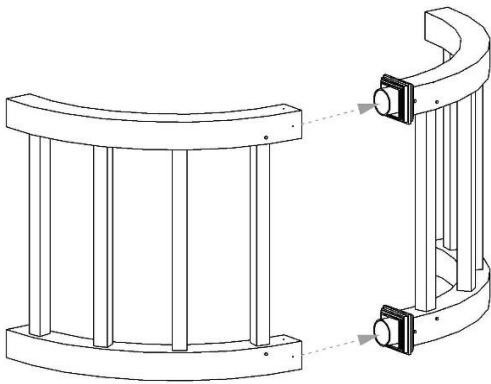
**10**

Using six  $\frac{3}{4}$ " screws, fasten both connector tubes to arch halves. Be sure connector tube is only inserted half way (up to black mark).



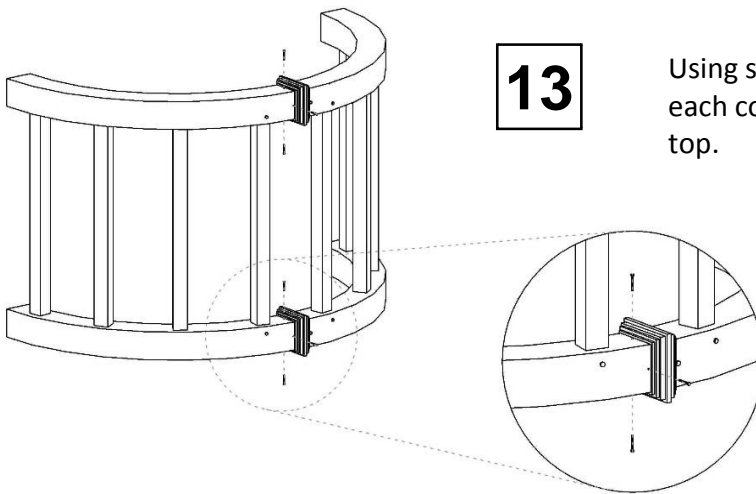
**11**

Slide one decorative knuckle (part 10) over each connector tube and arch half. Slide the knuckle up to the screws fastened in step 10.



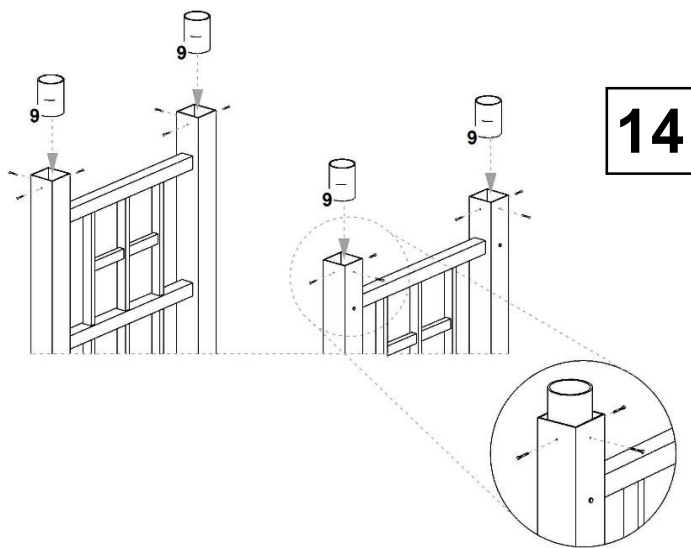
**12**

Connect two arbor halves by inserting connector tubes into one end of remaining arbor top half.



**13**

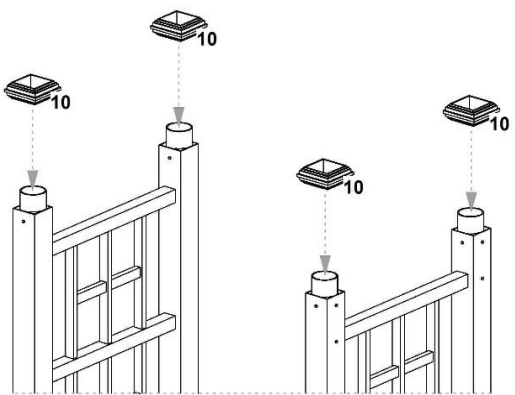
Using six  $\frac{3}{4}$ " screws, fasten arch halves to each connector tubes to complete arbor top.



**14**

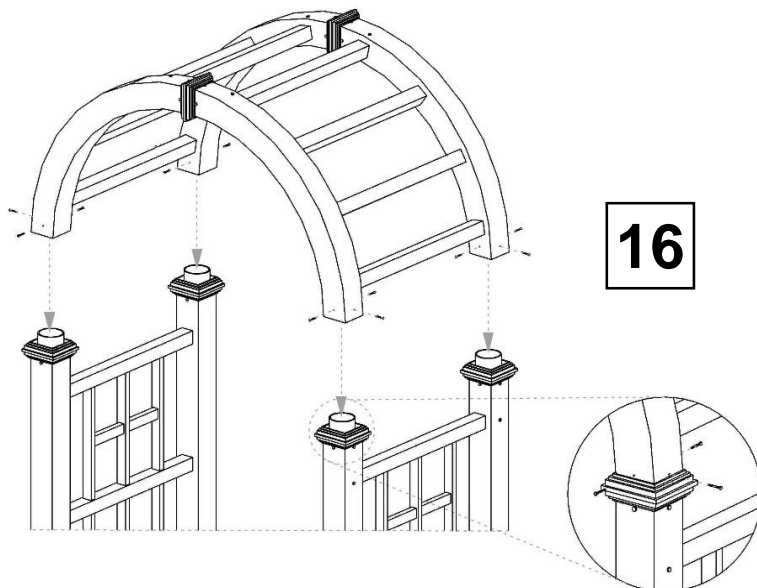
Insert one arbor top connector tube (part 9) into end of each post with three pilot holes. Connector tube will insert half way, resting on cross rail (at black mark).

Using three ¾" screws per post, fasten connector tubes to posts. .



**15**

Slide one decorative knuckle (part 10) over each connector tube and post end. Slide the knuckle down to the screws fastened in step 14.



**16**

Join posts with arbor top by inserting connector tubes into free ends of arbor top.

Using three ¾" screws per post, fasten arbor top to connector tubes.



**17**

**ARBOR INSTALLATION**

Option 1

Slide one 24" steel u-channel ground anchor (part 12) into bottom of each post. Slide ground anchor until it meets bottom cross rail. Using 1" self-tapping white-head screw fasten post to ground anchor.

Using ground anchor installation layout drawing, dig holes approximately 16" deep. Set arbor in holes and level. Back fill with soil removed from holes. For permanent installation fill with cement.

Option 2

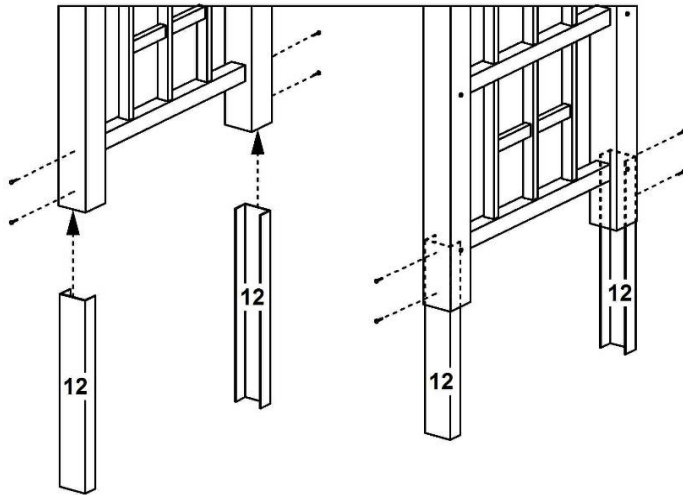
Using ground anchor installation layout drawing, pound ground anchors into ground according to dimensions. When pounding into ground, use block of wood to prevent ground anchor from bending.

Slide arbor over ground anchors. Using 1" self-tapping white-head screw fasten post to ground anchor.

Option 3

Using ground anchor installation layout drawing, dig holes 16" deep according to dimensions. Fill with cement and place ground anchors in wet cement. Be sure that ground anchors are straight and in accordance with dimension of ground anchor installation layout drawing. Allow cement to dry. NOTE: There is very little room for error with this installation method.

Slide arbor over ground anchors. Using 1" self-tapping white-head screw fasten post to ground anchor.



**Ground Anchor  
Installation Layout**

