



Somerset Arbor

Model# 11163

Assembly Instructions

<u>Part #</u>	<u>Description</u>	<u>Box#</u>	<u>Qty</u>
1	2 sq. x 65" Post	1	4
2	7/8 x 3 x 27 1/2" Bottom Cross Rail	2	4
3	7/8 x 3 x 27 1/2" Center Cross Rail	2	4
4	2 sq. x 50" Arbor Top	2	2
5	1 x 1 x 27 1/2" Arbor Top Cross Rail	1	8
6	24 x 57" Lattice	2	2
7	Hardware Bag (includes: 1 1/4" Painted Screw	2	1 24
8	Arbor Ground Anchor Kit (includes: 16" Steel Ground Anchor (L-Shaped) #8 - 1" Painted Self Tapping Screw		1 4 8

General Information

PLEASE READ THROUGH BEFORE BEGINNING ASSEMBLY.

IMPORTANT: Check boxes for Contents Listed

Check inside of parts as some parts are packaged
inside of others

In the event of missing, damaged or defective parts
please call our customer service dept. at 1-877-258-6020

When assembling components, place on a clean, flat
non-abrasive surface to avoid scratches

Tools Required

- ... Battery or Electric Drill with #2 phillips bit
- ... Tape Measure
- ... Hammer or Rubber Mallet (recommended)

Warranty Statement

20 Year Guarantee

Please call manufacturer direct with questions concerning missing or defective parts at Toll Free: 877-258-6020.

Dura-trel, Inc. products are warranted to be free from manufacturing defects resulting in delaminating, peeling, flaking, corroding, cracking, crazing, or extreme amounts of fading or bleaching causing the PVC to change to its natural color for a period of 20 years from the date of purchase.

Normal weathering is defined as exposure to sunlight and extremes of weather and atmosphere which will cause any colored surface to gradually fade.

CONDITIONS NOT COVERED BY THIS WARRANTY:

- A. Physical abuse, misuse, neglect, or improper storage.
- B. Improper installation or installation not in strict adherence to the instructions written by Dura-Trel, Inc.
- C. This warranty does not apply if materials are painted, varnished, or coated with any substance.
- D. Dura-Trel, Inc. is not responsible for damages to product during shipping.
- E. Damage attributable to atmospheric pollutants, hail, lightning, hurricane, tornado, wind borne objects, earthquake, fire, mildew, casualty, act of God, building or ground settlement, or subjection to stress or weight.

CLAIMS AND REMEDIES:

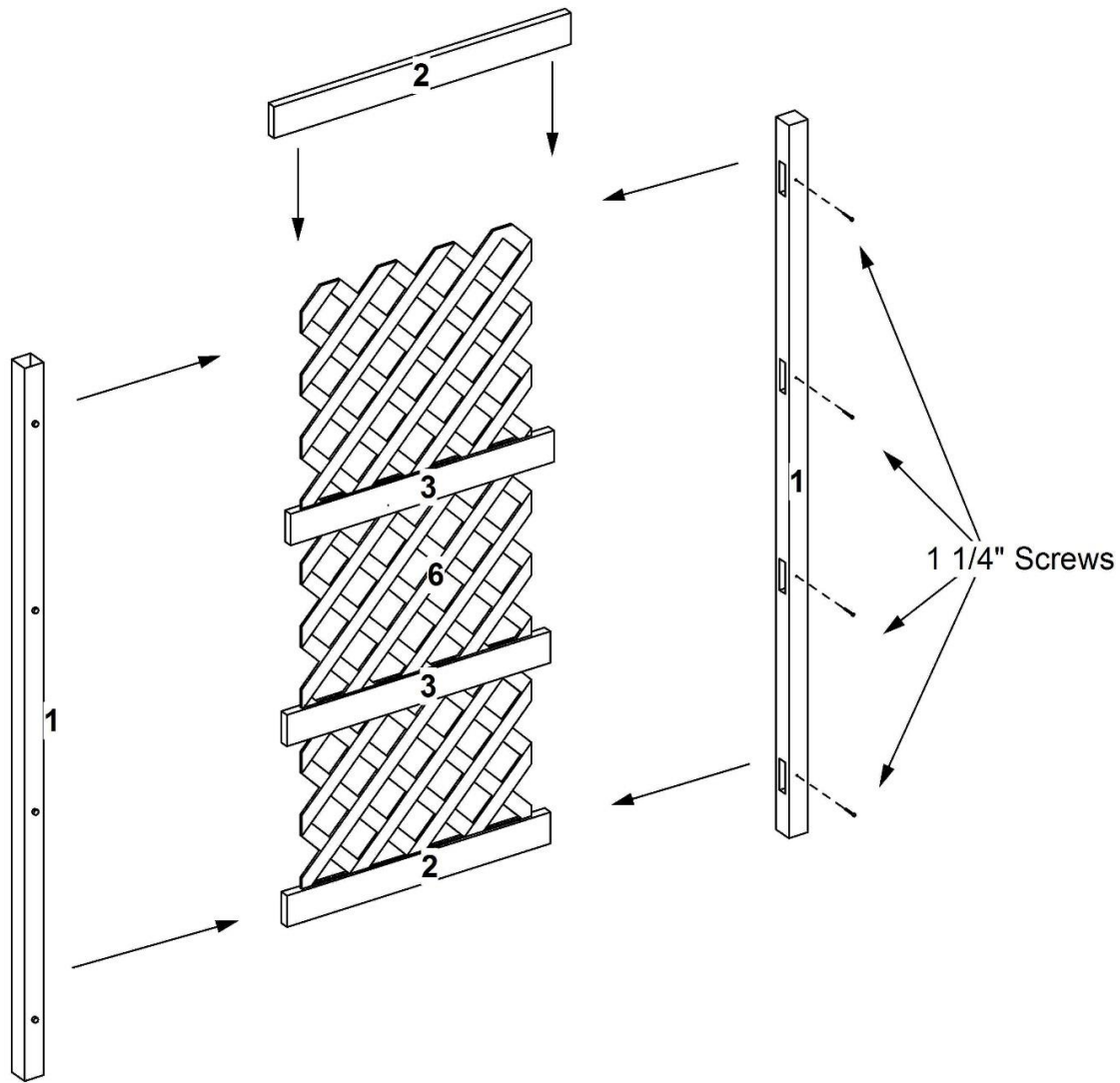
If a Dura-Trel, Inc. product is determined to have a manufacturing defect which is covered by this warranty, Dura-Trel, Inc. will replace the material containing the defect (labor not included) F.O.B from the point of manufacture. Dura-trel, Inc. will not be responsible for any cost incurred in the removal or reinstallation of the product.

Important: An claims must be sent to the following address and should describe the defect claim.

Dura-Trel, Inc., P.O. Box 122, Sheboygan Falls, WI 53085

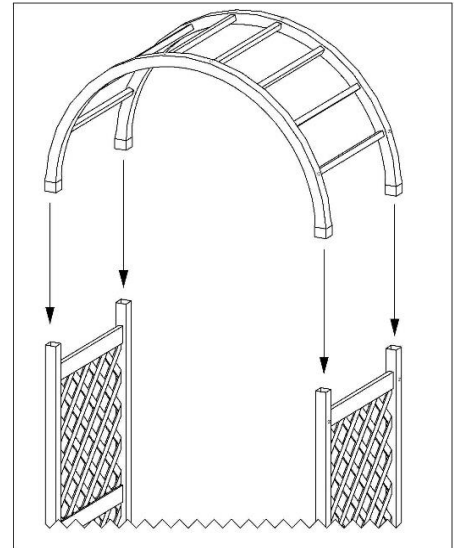
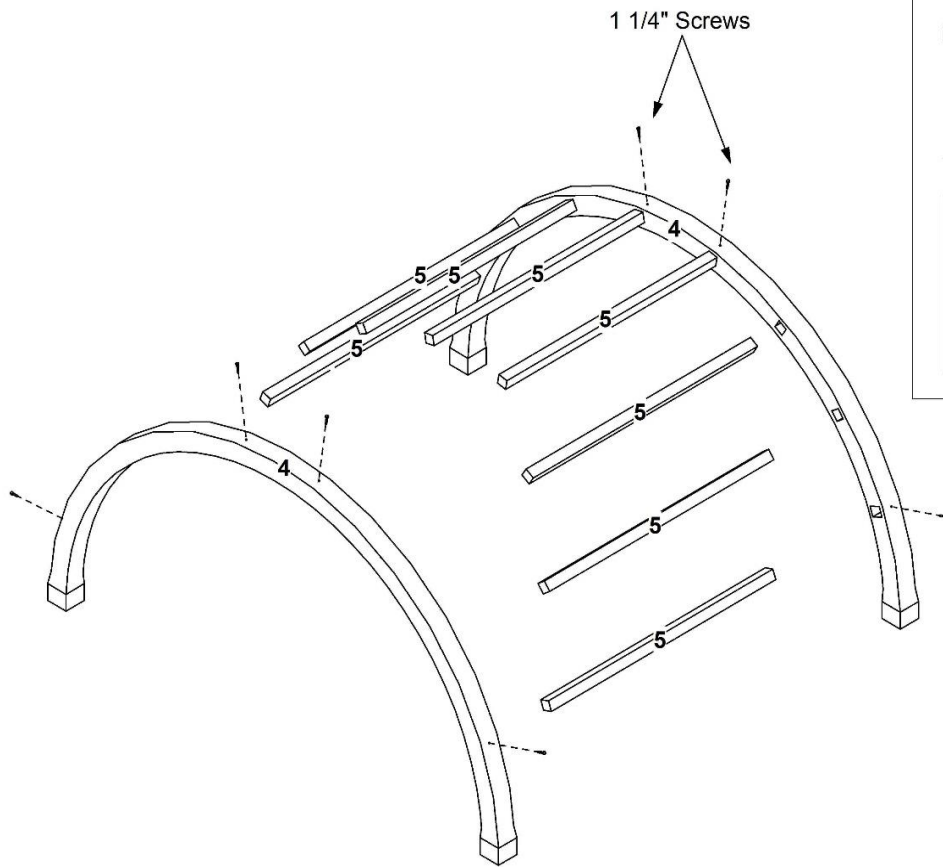
Dura-Trel, Inc. reserves the right to discontinue or change its design, and or color. If the original color or style is not available, Dura-Trel, Inc. shall have the right to substitute a product designated by Dura-Trel, Inc.

Dura-Trel, Inc. shall not be liable for any incidental, special, or consequential damages arising out of the use of these products



Insert lattice (part 6) through two 27½" center cross rail (part 3). Insert each end of lattice into 27½" bottom cross rail (part 2). Insert ends of four cross rails into holes into two posts (part 1). Using four 1¼" screws per post, screw together arbor panel. Be sure that all parts are fully inserted into legs before.

REPEAT for second arbor panel.



Insert eight 27½" arbor top cross rails (part 5) into one 50" arbor top rail (part 4). Insert free ends of arbor top cross rails into remaining 50" arbor top rail (part 4). Using four 1¼" screws per arbor top rail, screw together arbor top. Be sure that all parts are fully inserted into legs before.

Slide arbor top over ends of each arbor top panel to complete arbor.

11163

1	Somerset Arbor	
1	2" sq. x 65" SMA Post	4.00
2	7/8 x 3 x 27 1/2" SBT Bottom	4.00
3	7/8 x 3 x 27 1/2" SBT Center Rai	4.00
4	2" sq. x 50" SM/CT Arbor Top	2.00
5	1 x 1 x 27 1/2" Rail	8.00
6	24 x 57" EGA/SM White Lattice	2.00
7	Hardware Bag	1.00
	1 1/4" Painted Screw	24.00
	Grnd Anch - Arbor (2 x 2)	1.00
	#8 - 1" Self Tapping White He	8.00