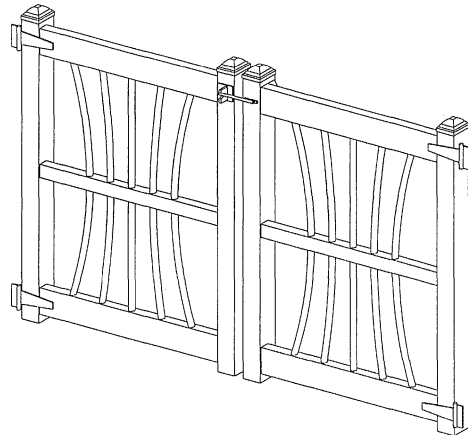


#11146 COURTYARD ARBOR GATE INSTALLATION INSTRUCTIONS

TOOLS NEEDED

Drill with 3/32", 5/32" Bits
and Phillips Screw Bit
Or Phillips Screwdriver
Hammer
Ruler



GATE INSTALLATION

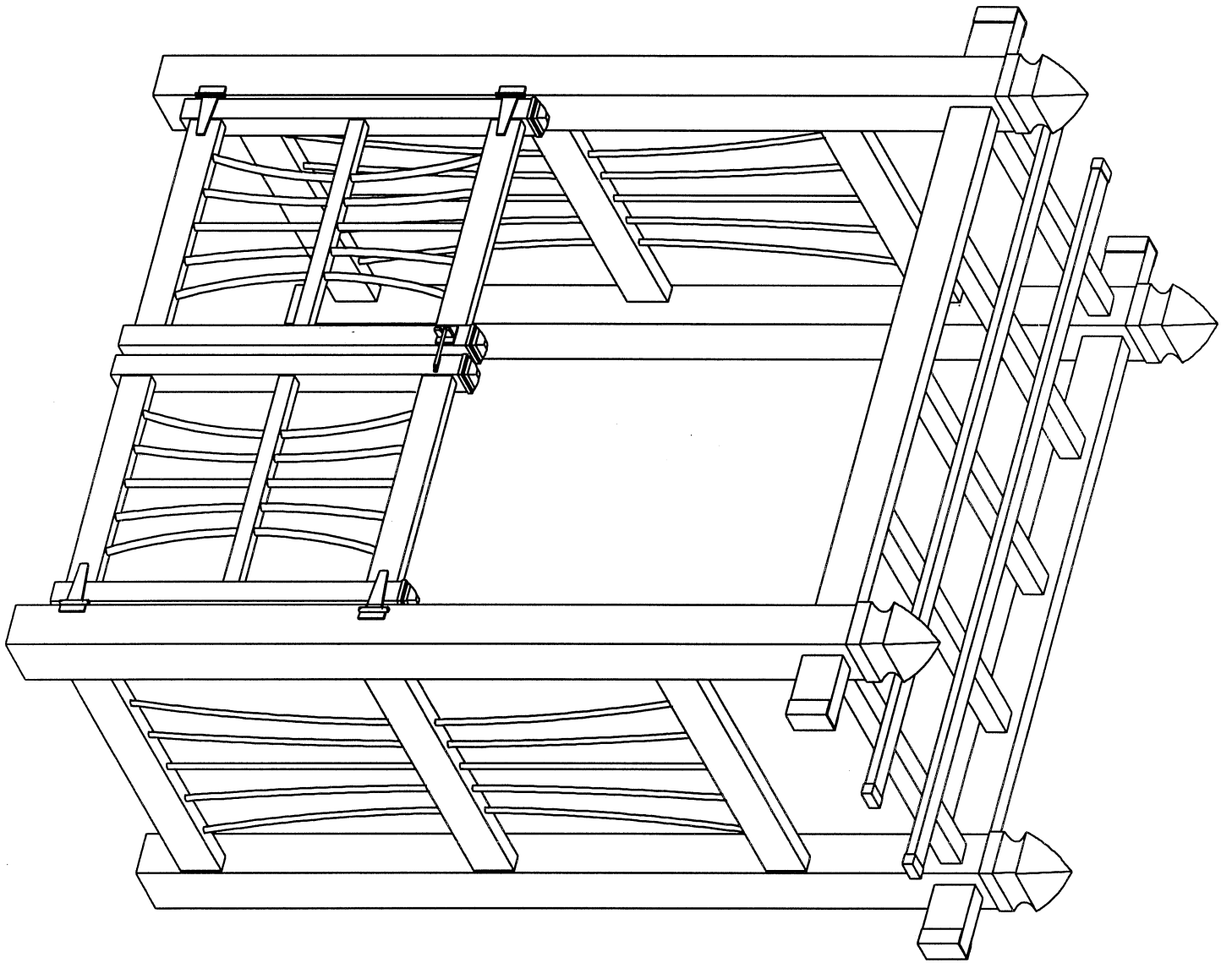
Gate panels are to be installed approximately 3" from ground level, leaving a 1/2" gap between the outside of the gate and the 4 x 4" post of the arbor. To make installation easier, place 3" blocks under gate panels to ensure proper, level installation. Attach gate hinges to posts and gate panel according to package direction and using diagram above for placement.

With gate in place, attach the gate latch on outside of the gate panels (same side as hinges), approximately 4" from the top of the 2 x 2" gate panel post.

Your gate comes with a 12" cane bolt kit to make one side of the gate stationary if desired. Attach the cane bolt to the backside of one of the gate panels as shown on package. Drop the slide to the ground, mark area where the slide meets the ground. Clear away a small hole around the end of the slide approximately 2" deep. Insert the 5/8 x 6" anchor tube into ground, with top of tube at ground level. To keep one side of the gate stationary, simply slide the 7/8 x 1 1/2" slide in gate post over the anchor tube.

These instructions show recommended installation for the design of the gate kit.

If you encounter missing or defective parts, please contact manufacturer direct at toll free # below.





PACKING LIST

#11146 COURTYARD ARBOR GATE KIT

PARTS CONTAINED:

| QTY. | PART NO. | PART DESCRIPTION |
|------|-------------|-------------------------|
| 1 | 7GATE-12CBK | 12" CANE BOLT KIT |
| 4 | 7GATE-HINGE | 4" TEE HINGE |
| 1 | 7GATE-SLIDE | SLIDE ACTION GATE LATCH |
| 1 | 50034-06000 | 6" VINYL DROP PIN TUBE |
| | | |
| | | |
| | | |
| | | |
| | | |
| | | |
| | | |
| | | |
| | | |
| | | |
| | | |
| | | |
| | | |
| | | |
| | | |

NOTE: Some parts may be packed inside of others.

If you encounter missing or defective parts, please contact manufacturer direct at toll free # below.



P.O. BOX 122
Sheboygan Falls, WI 53085
Toll Free: 877-258-6020

VINYL LAWN & GARDEN PRODUCTS

Please call manufacturer direct with questions concerning missing or defective parts at Toll Free: 877-258-6020.

Dura-Trel, Inc. products are warranted to be free from manufacturing defects resulting in delaminating, peeling, flaking corroding, cracking, crazing, or extreme amounts of fading or bleaching causing the PVC to change to its natural color for a period of 20 years from the date of purchase.

Normal Weathering is defined as exposure to sunlight and extremes of weather and atmosphere which will cause any colored surface to gradually fade.

CONDITIONS NOT COVERED BY THIS WARRANTY:

- A. Physical abuse, misuse, neglect, or improper storage.
- B. Improper installation or installation not in strict adherence to instructions written by Dura-Trel, Inc.
- C. This warranty does not apply if materials are painted, varnished or coated with any substance.
- D. Dura-Trel, Inc. is not responsible for damages to product during shipping.
- E. Damage attributable to atmospheric pollutants, hail, lightning, hurricane, tornado, wind borne objects, earthquake, fire, mildew, casualty, act of God, building or ground settlement, or subjection to stress or weight.

CLAIMS AND REMEDIES:

If a Dura-Trel, Inc. product is determined to have a manufacturing defect which is covered by this warranty, Dura-Trel will replace the material containing the defect(labor not included) F.O.B from the point of manufacture.

Dura-Trel, Inc. will not be responsible for any cost incurred in the removal or reinstallation of the product.

Important: Any claims under this warranty must be made within 30 days after the defect was first discovered or reasonably could have been discovered.

All warranty claims must be sent to the following address and should describe the defect claim.

Dura-Trel, Inc., P.O. Box 122, Sheboygan Falls, WI 53085

Dura-Trel, Inc. reserves the right to discontinue or change its design, and or color. If the original color or style is not available, Dura-Trel, Inc. shall have the right to substitute a product designated by Dura-Trel, Inc.

Dura-Trel, Inc. shall not be liable for any incidental, special, or consequential damages arising out of the use of these products.

20 Y R W a r r a n t y
