



# Courtyard Arbor

Model# 11111

Assembly Instructions

Part #	Description	Box#	Qty
1	4" sq. x 84" Left Post	1	2
2	4" sq. x 84" Right Post	1	2
3	1½ x 4 x 29½" Top/Bottom Cross Rail	2	4
4	1½ x 4 x 29½" Center Cross Rail	1	2
5	¾ x 61" Tube	1	10
6	1½ x 4 x 84" Arbor Top Rail	1	2
7	⅞ x 1½ x 84" Arbor Top Overhead Rail	1	2
8	2" sq. x 26¾ Arbor Top Cross Rail	2	5
9	4" sq. Gothic Cap	2	4
10	24" Steel Ground Anchor (U-shaped)	1	4
11	Hardware Bag (includes:)	2	1
	4" End Cap		4
	¾ x 1½" End Cap		4
	1¼" Painted Screw		34
	#8 - 1" Painted Self Tapping Screw		8
	Super Glue Tube		1

## General Information

PLEASE READ THROUGH BEFORE BEGINNING ASSEMBLY.

IMPORTANT: Check boxes for Contents Listed

Check inside of parts as some parts are packaged inside of others

In the event of missing, damaged or defective parts please call our customer service dept. at 1-877-258-6020

When assembling components, place on a clean, flat non-abrasive surface to avoid scratches

## Tools Required

- ... Battery or Electric Drill with #2 phillips bit
- ... Tape Measure
- ... Hammer or Rubber Mallet (recommended)
- ... Shovel or Post Hole Digger (recommended)

# Warranty Statement

## 20 Year Guarantee

**Please call manufacturer direct with questions concerning missing or defective parts at Toll Free: 877-258-6020.**

Dura-trel, Inc. products are warranted to be free from manufacturing defects resulting in delaminating, peeling, flaking, corroding, cracking, crazing, or extreme amounts of fading or bleaching causing the PVC to change to its natural color for a period of 20 years from the date of purchase.

*Normal weathering is defined as exposure to sunlight and extremes of weather and atmosphere which will cause any colored surface to gradually fade.*

### **CONDITIONS NOT COVERED BY THIS WARRANTY:**

- A. Physical abuse, misuse, neglect, or improper storage.
- B. Improper installation or installation not in strict adherence to the instructions written by Dura-Trel, Inc.
- C. This warranty does not apply if materials are painted, varnished, or coated with any substance.
- D. Dura-Trel, Inc. is not responsible for damages to product during shipping.
- E. Damage attributable to atmospheric pollutants, hail, lightning, hurricane, tornado, wind borne objects, earthquake, fire, mildew, casualty, act of God, building or ground settlement, or subjection to stress or weight.

### **CLAIMS AND REMEDIES:**

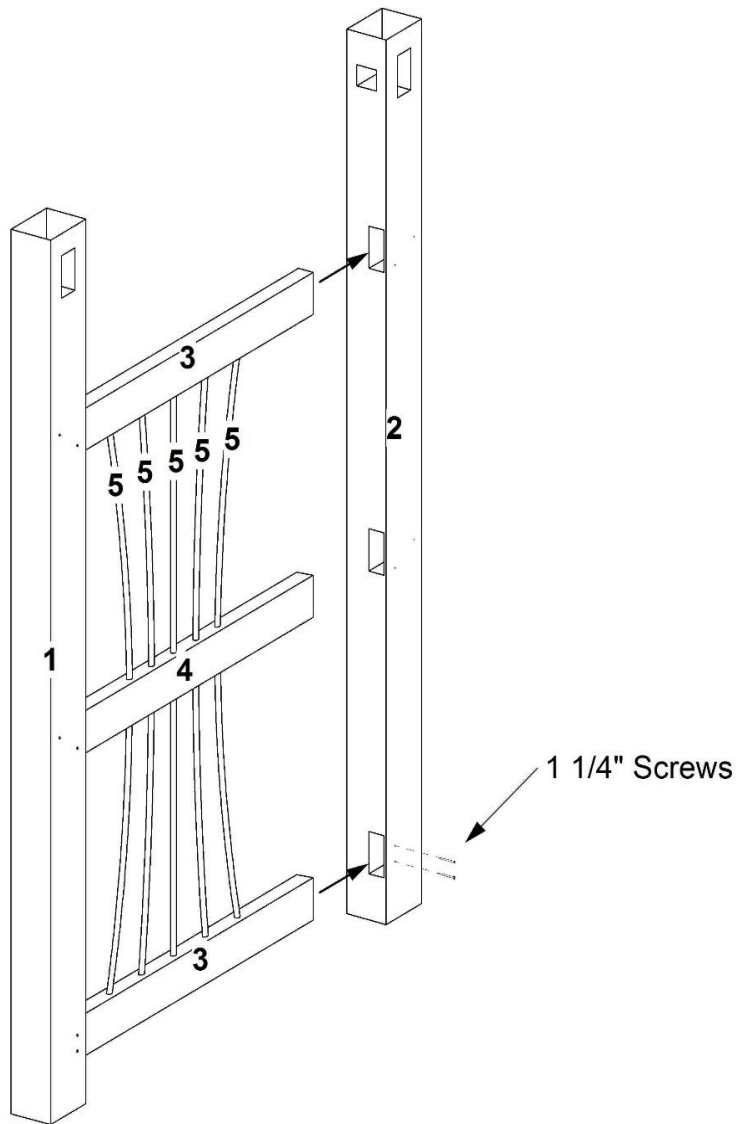
If a Dura-Trel, Inc. product is determined to have a manufacturing defect which is covered by this warranty, Dura-Trel, Inc. will replace the material containing the defect (labor no included) F.O.B from the point of manufacture. Dura-trel, Inc. will not be responsible for any cost incurred in the removal or reinstallation of the product.

**Important:** An claims must be sent to the following address and should describe the defect claim.

**Dura-Trel, Inc., P.O. Box 122, Sheboygan Falls, WI 53085**

Dura-Trel, Inc. reserves the right to discontinue or change its design, and or color. If the original color or style is not available, Dura-Trel, Inc. shall have the right to substitute a product designated by Dura-Trel, Inc.

Dura-Trel, Inc. shall not be liable for any incidental, special, or consequential damages arising out of the use of these products

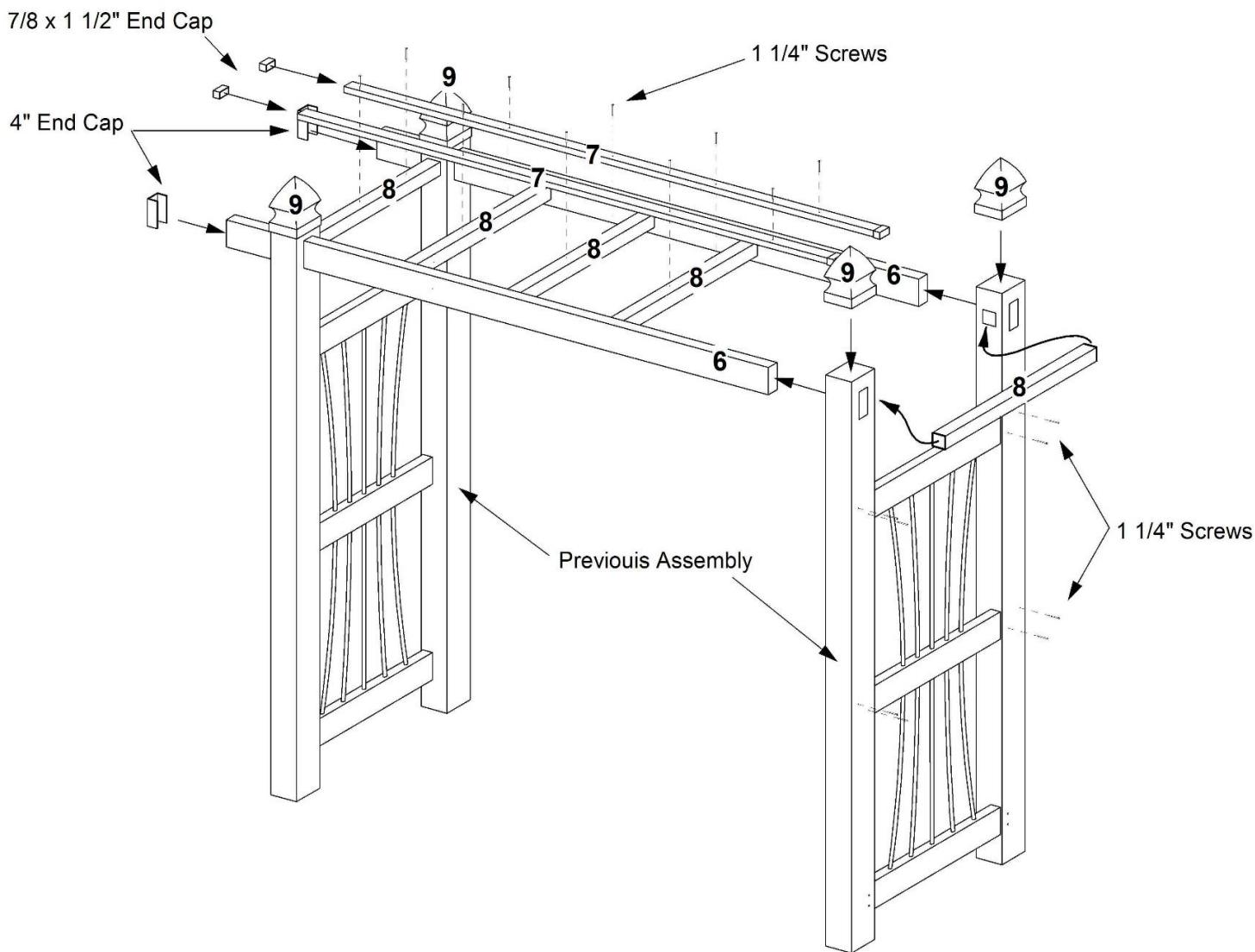


Lay out one left post (part 1). Insert one top/bottom cross rail (part 3) into bottom hole of post. Insert one center cross rail (part 4) into middle hole of post. Slide five 61" tubes (part 5) through holes of center cross rail and into bottom cross rail. Insert one top/bottom cross rail (part 3) into top 1½ x 4" hole, inserting free ends of tubes into top rail. Insert free ends of cross rails into corresponding holes of one right post (part 2).

Slide one 24" steel ground anchor (part 10) into bottom of each post so bottom cross rail slides into U-Shape. Using two 1¼" screws per post, screw bottom of arbor panel together. DO NOT screw together center or top cross rails.

Remove 24" steel ground anchor from bottom of post and set aside until ready for installation.

Repeat for second arbor panel.



Set both arbor panels on end with screw pilot holes facing outside of arbor. Insert ends of each 84" arbor top rail (part 6) through top routed hole in each post. Make sure 2" sq. routed holes face one another. Gently separate tops of each arbor panel few inches. With pilot holes facing top of arbor, insert five 26 $\frac{3}{4}$ " arbor top cross rails (part 8) into arbor tops. When inserting two outer most parts, insert into post and then into 84" arbor top to lock arbor together. Using four 1 $\frac{1}{4}$ " screws per post, screw together top and middles of each arbor panel. Be sure all parts are full inserted before securing.

Place two 84" arbor top overhead rails (part 7) onto five arbor top cross rails with pilot holes lining up. Using five 1 $\frac{1}{4}$ " screws per part, fasten overhead rails to top cross rails.

Apply glue to inside edges of 4" sq. gothic caps (part 9) and place on top of each post. Apply glue to inside edges of  $\frac{7}{8}$  x 1 $\frac{1}{2}$ " end caps and place on ends of overhead rails. Apply glue to inside of 4" end caps and **press, do not slide**, onto ends of arbor top rails.

## ARBOR INSTALLATION

### Option 1

Slide one 24" steel u-channel ground anchor (part 10) into bottom of each post. Slide ground anchor until it meets bottom cross rail. Using 1" self-tapping white-head screw fasten post to ground anchor.

Using ground anchor installation layout drawing, dig holes approximately 16" deep. Set arbor in holes and level. Back fill with soil removed from holes. For permanent installation fill with cement.

### Option 2

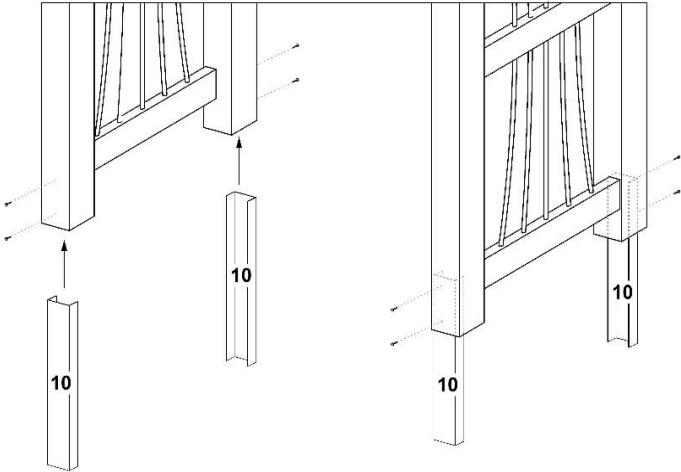
Using ground anchor installation layout drawing, pound ground anchors into ground according to dimensions. When pounding into ground, use block of wood to prevent ground anchor from bending.

Slide arbor over ground anchors. Using 1" self-tapping white-head screw fasten post to ground anchor.

### Option 3

Using ground anchor installation layout drawing, dig holes 16" deep according to dimensions. Fill with cement and place ground anchors in wet cement. Be sure that ground anchors are straight and in accordance with dimension of ground anchor installation layout drawing. Allow cement to dry. NOTE: There is very little room for error with this installation method.

Slide arbor over ground anchors. Using 1" self-tapping white-head screw fasten post to ground anchor.



### Ground Anchor Installation Layout

