



Melrose Trellis

Model# 11191 Assembly Instructions

General Information

PLEASE READ THROUGH BEFORE BEGINNING ASSEMBLY.

IMPORTANT: Check boxes for Contents Listed

Check inside of parts as some parts are packaged inside of others

In the event of missing, damaged or defective parts please call our customer service dept. at 1-877-258-6020

When assembling components, place on a clean, flat non-abrasive surface to avoid scratches

Tools Required

- ... Battery or Electric Drill with #2 phillips bit
- ... Tape Measure
- ... Hammer or Rubber Mallet (recommended)
- ... PVC, Super, or Crazy Glue

Part #	Description	Qty
1	2" sq. x 74" Left Post	1
2	2" sq. x 74" Right Post	1
3	7/8 x 1 1/2 x 35" Top/Bottom Cross Rail	1
4	7/8 x 1 1/2 x 35" Center Cross Rail	5
5	7/8 x 1 1/2 x 45" Bent Top	1
6	1/4 x 1 1/2 x 66" Vertical Slat	2
7	1/4 x 1 1/2 x 63" Vertical Slat	2
8	Hardware Bag (includes:)	1
	2" sq." Post Cap	2
	7/8 x 1 1/2" End Cap	2
	1 1/4" Painted Screw	6
9	Trellis Ground Anchor Kit (includes:)	1
	16" Steel Ground Anchor (L-Shaped)	2
	#8 - 1" Painted Self Tapping Screw	4



<p>150 Birch Road P.O. Box 122 Sheboygan Falls, WI 53085</p>	<p>1-877-258-6020 www.dura-trel.com sales@dura-trel.com</p>	<p>1</p>
--	---	----------

Warranty Statement

20 Year Guarantee

Please call manufacturer direct with questions concerning missing or defective parts at Toll Free: 877-258-6020.

Dura-trel, Inc. products are warranted to be free from manufacturing defects resulting in delaminating, peeling, flaking, corroding, cracking, crazing, or extreme amounts of fading or bleaching causing the PVC to change to its natural color for a period of 20 years from the date of purchase.

Normal weathering is defined as exposure to sunlight and extremes of weather and atmosphere which will cause any colored surface to gradually fade.

CONDITIONS NOT COVERED BY THIS WARRANTY:

- A. Physical abuse, misuse, neglect, or improper storage.
- B. Improper installation or installation not in strict adherence to the instructions written by Dura-Trel, Inc.
- C. This warranty does not apply if materials are painted, varnished, or coated with any substance.
- D. Dura-Trel, Inc. is not responsible for damages to product during shipping.
- E. Damage attributable to atmospheric pollutants, hail, lightning, hurricane, tornado, wind borne objects, earthquake, fire, mildew, casualty, act of God, building or ground settlement, or subjection to stress or weight.

CLAIMS AND REMEDIES:

If a Dura-Trel, Inc. product is determined to have a manufacturing defect which is covered by this warranty, Dura-Trel, Inc. will replace the material containing the defect (labor not included) F.O.B from the point of manufacture. Dura-trel, Inc. will not be responsible for any cost incurred in the removal or reinstallation of the product.

Important: An claims must be sent to the following address and should describe the defect claim.

Dura-Trel, Inc., P.O. Box 122, Sheboygan Falls, WI 53085

Dura-Trel, Inc. reserves the right to discontinue or change its design, and or color. If the original color or style is not available, Dura-Trel, Inc. shall have the right to substitute a product designated by Dura-Trel, Inc.

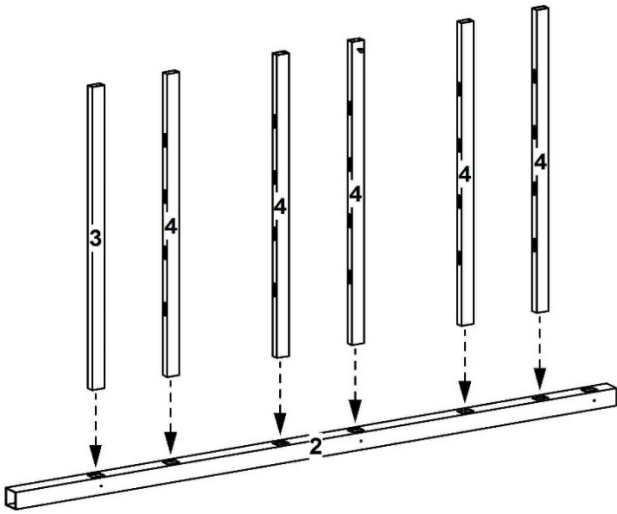
Dura-Trel, Inc. shall not be liable for any incidental, special, or consequential damages arising out of the use of these products



150 Birch Road
P.O. Box 122
Sheboygan Falls, WI 53085

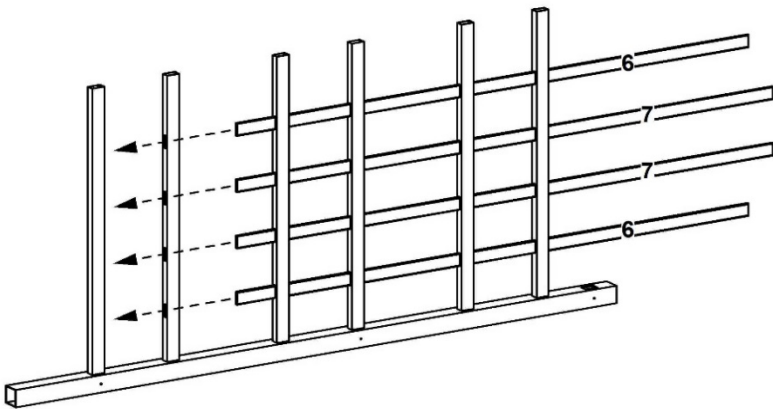
1-877-258-6020
www.dura-trel.com
sales@dura-trel.com

2



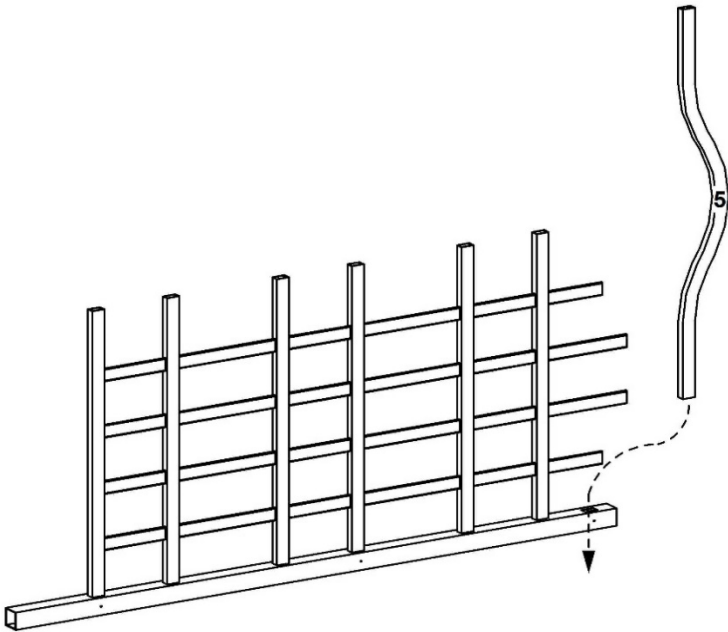
1

Lay out one right post (part 2). Starting at bottom, insert one bottom cross rail (part 3) and five center cross rails (part 4).



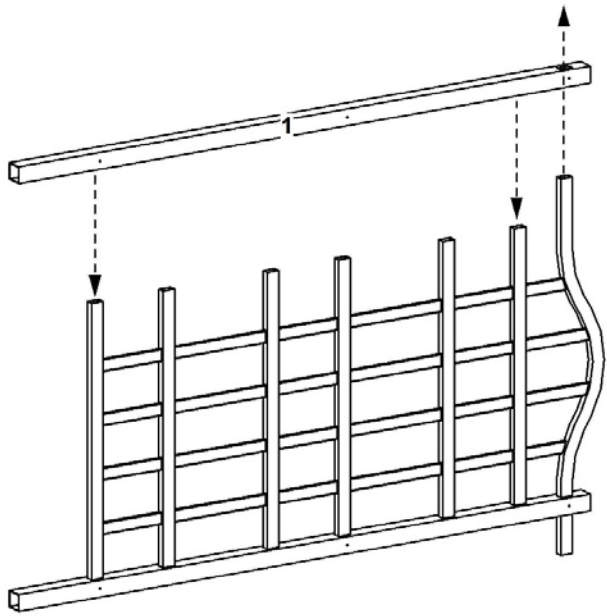
2

Insert two 63" vertical slats (part 6) through outer holes of center cross rails and into bottom cross rail. Insert two 66" vertical slats (part 7) through inner holes of center cross rails and into bottom cross rail.

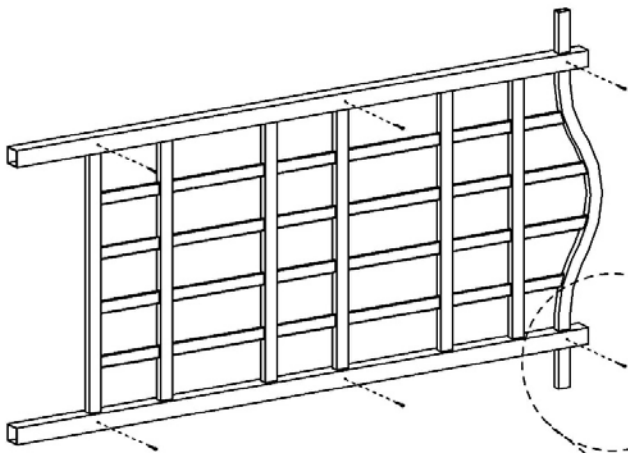


3

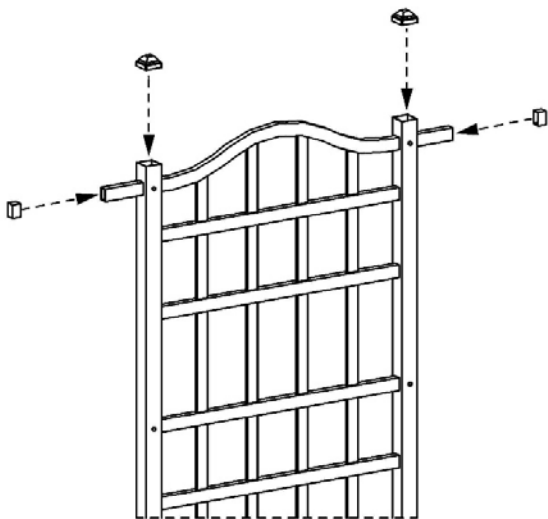
Insert top bent rail (part 5) through right post, inserting vertical slats into top bent rail.



4 Insert bent top rail through left post (part 1), inserting center cross rails and bottom cross rail into left post.



5 Using 1 1/4" kappet screws, screw together trellis. Be sure that all parts are fully inserted into posts before securing.



6 Using PVC, super or crazy glue; glue post caps onto posts.