



4 x 8' Split Level Plnt Bed

Model# 11184

Assembly Instructions

<u>Part #</u>	<u>Description</u>	<u>Qty</u>
1	4" sq. x 19" Corner Post	2
2	4" sq. x 24" Corner Post	2
3	4" sq. x 24" Left Line Pos	1
4	4" sq. x 24" Right Line Po	1
5	1½ x 5½ x 96" Rail	4
6	1½ x 5½ x 48" Rail	2
7	1½ x 5½ x 45" Rail	7
8	4" sq." Flat Cap	6
9	Hardware Bag (includes: 2" Painted Screw	1 68

General Information

PLEASE READ THROUGH BEFORE BEGINNING ASSEMBLY.

IMPORTANT: Check boxes for Contents Listed

Check inside of parts as some parts are packaged
inside of others

In the event of missing, damaged or defective parts
please call our customer service dept. at 1-877-258-6020

When assembling components, place on a clean, flat
non-abrasive surface to avoid scratches

Tools Required

- ... Battery or Electric Drill with #2 phillips bit
- ... Tape Measure
- ... Hammer or Rubber Mallet (recommended)
- ... Shovel or Post Hole Digger (recommended)
- ... PVC, Super, or Crazy Glue



150 Birch Road

P.O. Box 122

Sheboygan Falls, WI 53085

1-877-258-6020

www.dura-trel.com

sales@dura-trel.com

1

Warranty Statement

20 Year Guarantee

Please call manufacturer direct with questions concerning missing or defective parts at Toll Free: 877-258-6020.

Dura-trel, Inc. products are warranted to be free from manufacturing defects resulting in delaminating, peeling, flaking, corroding, cracking, crazing, or extreme amounts of fading or bleaching causing the PVC to change to its natural color for a period of 20 years from the date of purchase.

Normal weathering is defined as exposure to sunlight and extremes of weather and atmosphere which will cause any colored surface to gradually fade.

CONDITIONS NOT COVERED BY THIS WARRANTY:

- A. Physical abuse, misuse, neglect, or improper storage.
- B. Improper installation or installation not in strict adherence to the instructions written by Dura-Trel, Inc.
- C. This warranty does not apply if materials are painted, varnished, or coated with any substance.
- D. Dura-Trel, Inc. is not responsible for damages to product during shipping.
- E. Damage attributable to atmospheric pollutants, hail, lightning, hurricane, tornado, wind borne objects, earthquake, fire, mildew, casualty, act of God, building or ground settlement, or subjection to stress or weight.

CLAIMS AND REMEDIES:

If a Dura-Trel, Inc. product is determined to have a manufacturing defect which is covered by this warranty, Dura-Trel, Inc. will replace the material containing the defect (labor not included) F.O.B from the point of manufacture. Dura-trel, Inc. will not be responsible for any cost incurred in the removal or reinstallation of the product.

Important: An claims must be sent to the following address and should describe the defect claim.

Dura-Trel, Inc., P.O. Box 122, Sheboygan Falls, WI 53085

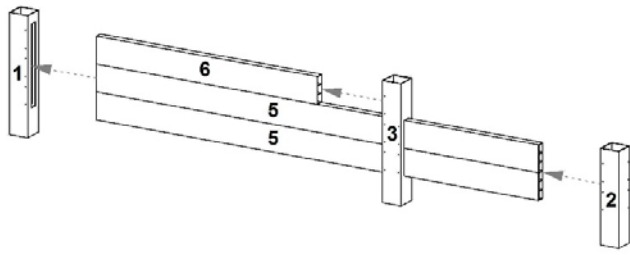
Dura-Trel, Inc. reserves the right to discontinue or change its design, and or color. If the original color or style is not available, Dura-Trel, Inc. shall have the right to substitute a product designated by Dura-Trel, Inc.

Dura-Trel, Inc. shall not be liable for any incidental, special, or consequential damages arising out of the use of these products



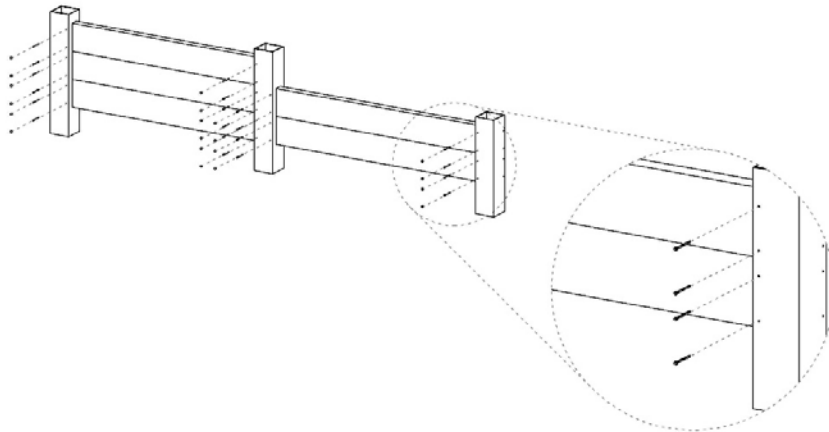
150 Birch Road
P.O. Box 122
Sheboygan Falls, WI 53085

1-877-258-6020
www.dura-trel.com
sales@dura-trel.com



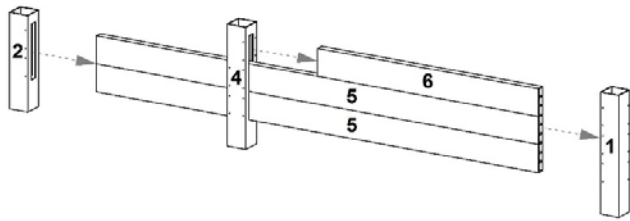
1

Insert ends of two 1 ½" x 5 ½" x 96" rails (part 5) and one 1 ½" x 5 ½" x 48" (part 6) into one 4" x 4" x 24" corner post (part 1). Slide ends of the 96" rails through and insert the free end of the 48" rail into one 4" x 4" x 24" left line post (part 3). Insert free end of the 96" rail into one 4" x 4" x 19" corner post.



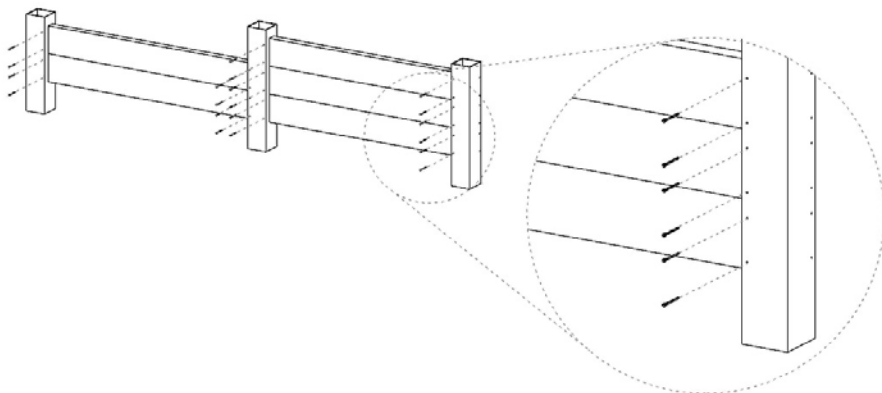
2

Using 2" screws, screw together the planter bed side. Be sure all the parts are fully inserted into the posts before securing them.



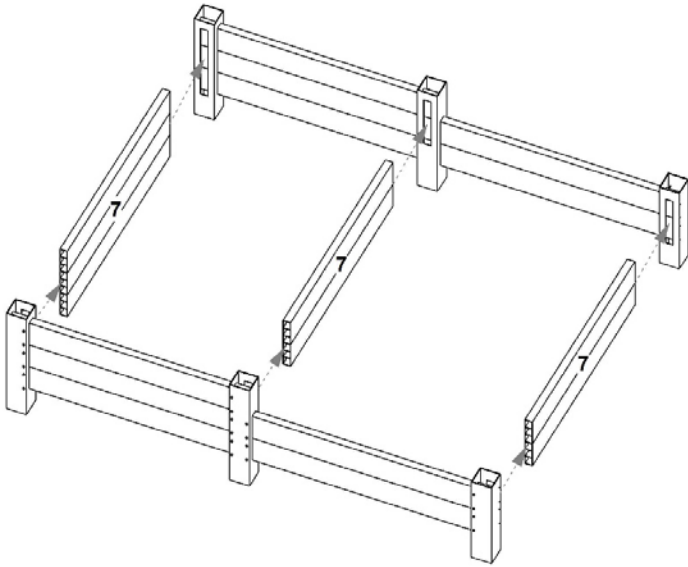
3

Insert ends of two 1 ½" x 5 ½" x 96" rails (part 5) and one 1 ½" x 5 ½" x 48" (part 6) into one 4" x 4" x 24" corner post (part 1). Slide ends of the 96" rails through and insert the free ends of the 48" rail into one 4" x 4" x 24" right line post (part 4). Insert free end of the 96" rails into one 4" x 4" x 19" corner post (part 2).



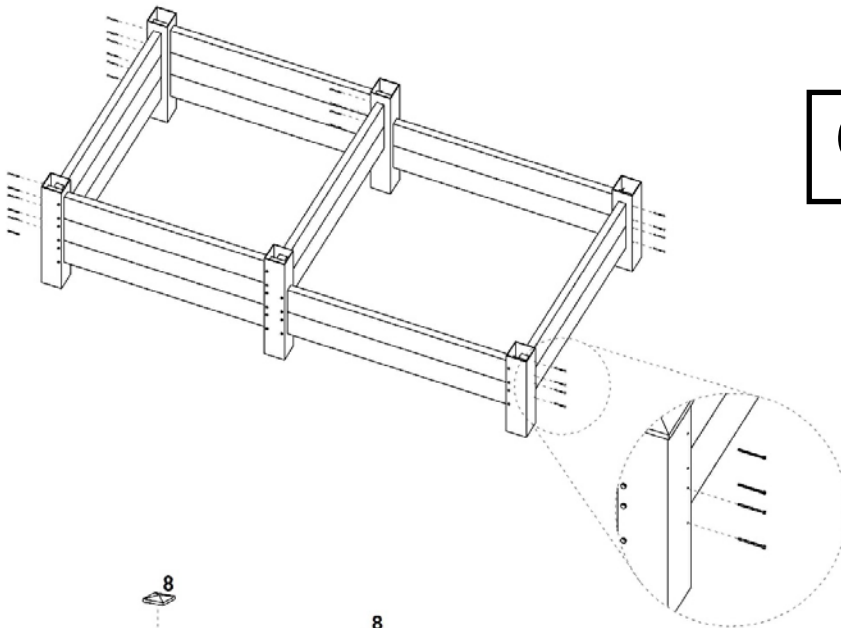
4

Using 2" screws, screw together the planter bed side. Be sure all the parts are fully inserted into the posts before securing.



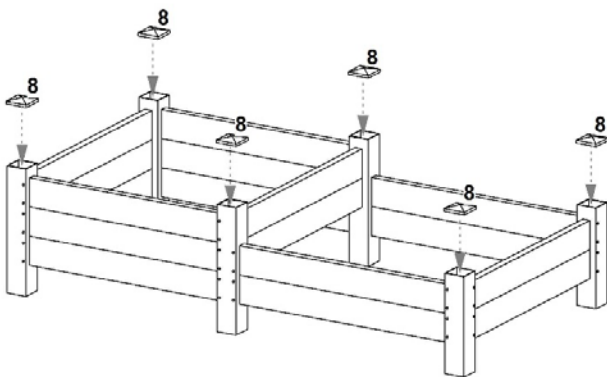
5

Insert ends of seven 1 ½" x 5 ½" x 45" rails (part 7) into remaining routed holes of posts to form the planter bed.



6

Using 2" screws, screw together the planter bes. Be sure the 45" rails are inserted to meet the 48" and 96" rails. Seven 45" rails will not fully insert into the posts.



7

Apply PVC or super glue to inner edges of six 4" sq. flat caps and place on top of each post.

To install, dig six holes 6" deep. The overall outside dimensions are 96 ¼" x 50 ½".